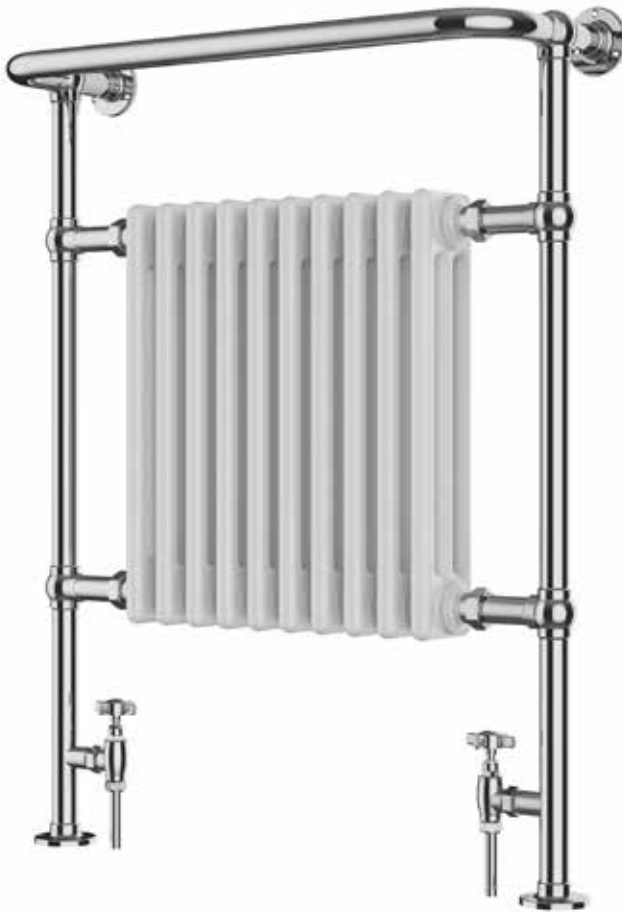


Hemsworth Traditional 963 x 763mm Towel Rail + Radiator (Heating Only) HE9676C



Specification

Finish	Chrome / White
Dimensions	963(h) x 763(w) x 230(d) mm
Weight	25kg
BTU Output/Hr	2228
Watts @ Δ T50°C	653
Bars	1
Pipe Centres	688mm
Electric Element Wattage	–
Face to Face Connections	618mm
Radiator Columns	10
Material	Mild Steel

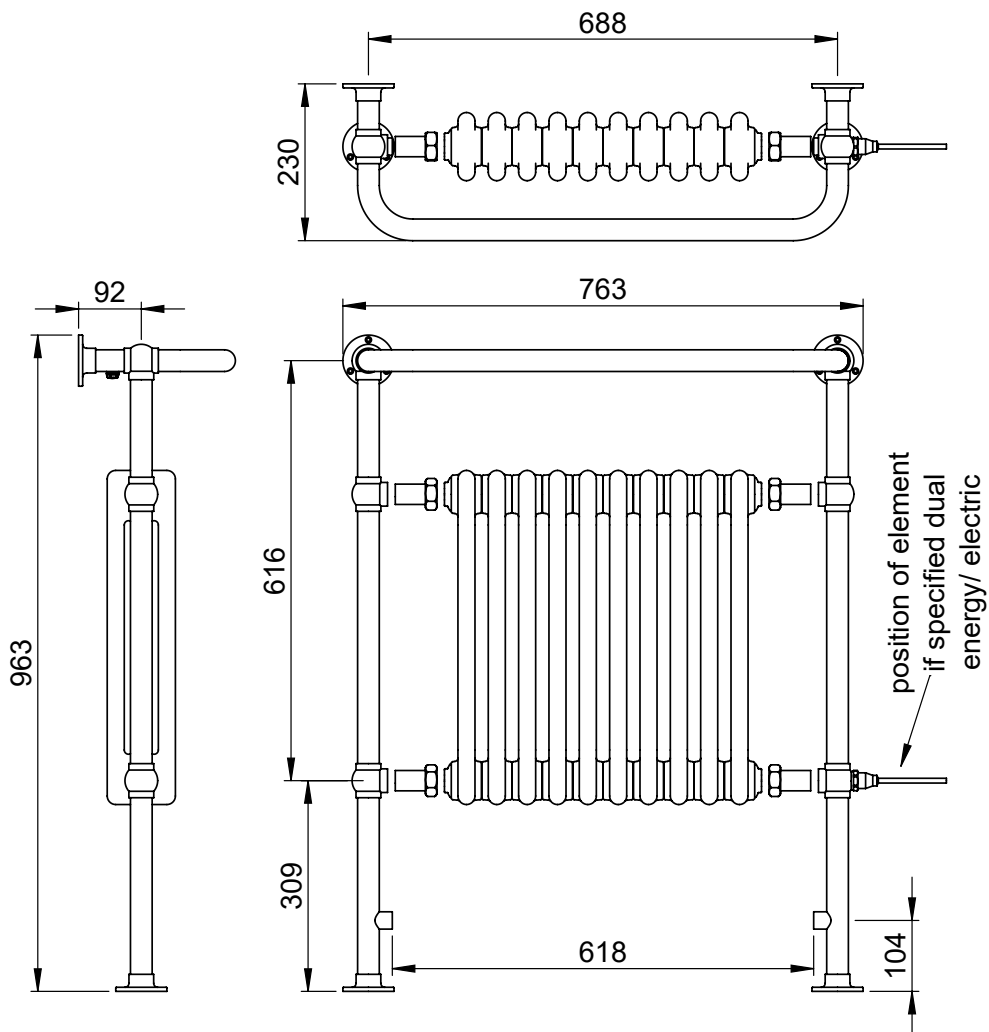
All heat outputs are shown at 50°C Δ t in compliance with BSEN442. Watts and Btu's apply to Heating and Dual Fuel only.

Key Features + Benefits



Certifications + Approvals

Hemsworth Traditional 963 x 763mm Towel Rail + Radiator (Heating Only) HE9676C



*Dual energy models require a conversion-tee, consult relevant drawing for details.