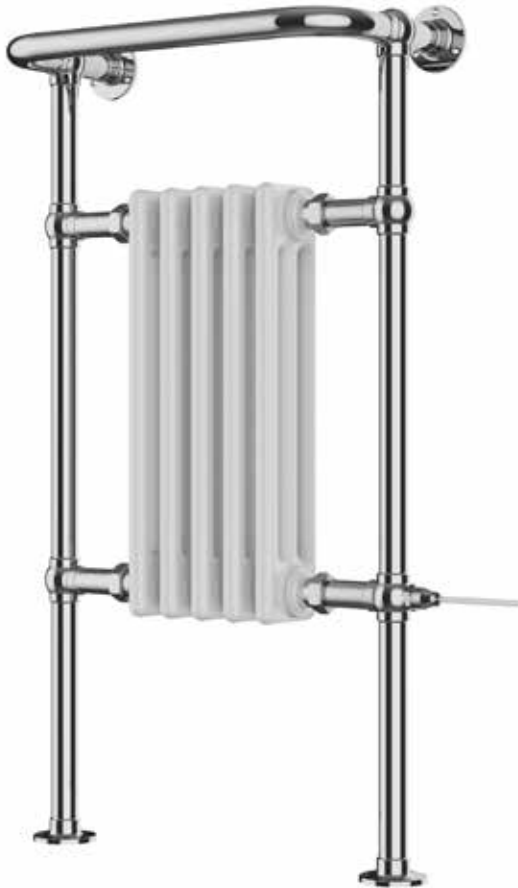


Hemsworth Traditional 963 x 538mm Towel Rail + Radiator (Electric Only) HE9654C-E



Specification

Finish	Chrome / White
Dimensions	963(h) x 538(w) x 230(d) mm
Weight	25kg
BTU Output/Hr	-
Watts @ Δ T50°C	-
Bars	1
Pipe Centres	463mm
Electric Element Wattage	200
Face to Face Connections	393mm
Radiator Columns	5
Material	Mild Steel

All heat outputs are shown at 50°C Δ t in compliance with BSEN442. Watts and Btu's apply to Heating and Dual Fuel only.

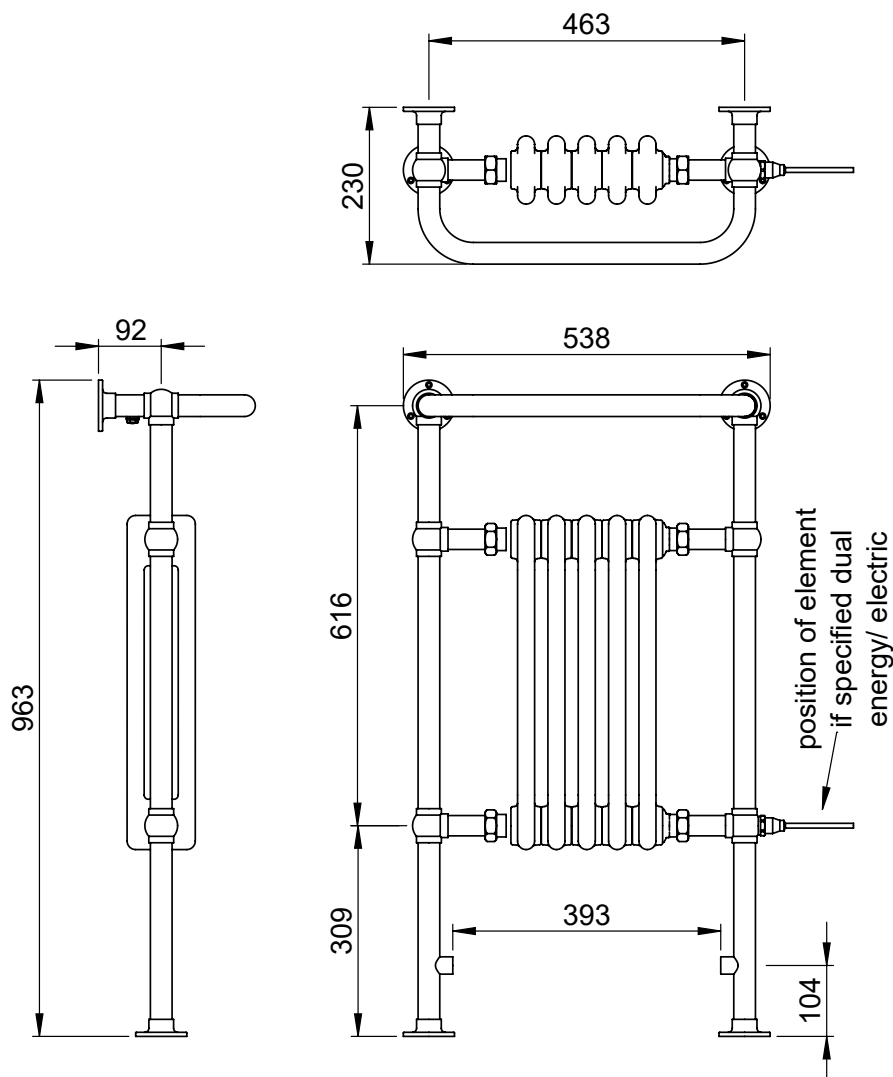
Key Features + Benefits



Certifications + Approvals

Technical Data Sheet | Designer Towel Rails

Hemsworth Traditional 963 x 538mm Towel Rail + Radiator (Electric Only) HE9654C-E



*Dual energy models require a conversion-tee, consult relevant drawing for details.