

Hemsworth Mono Basin Mixer (Click Waste) 4E1074



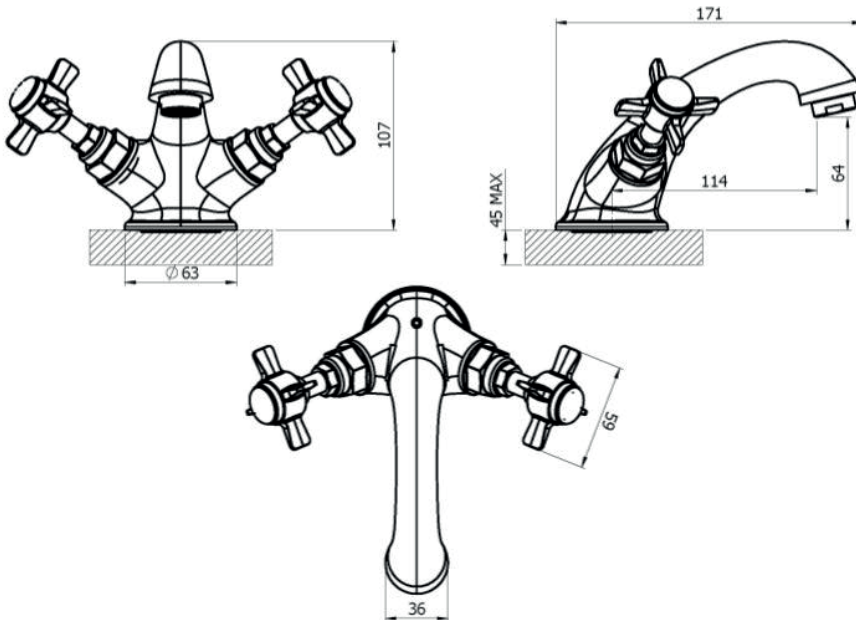
Specification

Finish	Chrome
Dimensions	107(h) x 63(w) x 171(d) mm
Weight	1.36kg
Body	Brass
Spout Material	Brass
Fittings	Metal Plate, Washer, Stud + Locking Nut
Connection	M12 - DN8 Flexible Hoses with 1/2" BSP Thread Ends
Cartridge Size	1/2" NR Headwork
Flow Restrictor	No
Max Static Pressure	10 Bar
Min Operating Pressure	0.1 Bar
Max Operating Pressure	6 Bar
Max Water Temperature	65°C

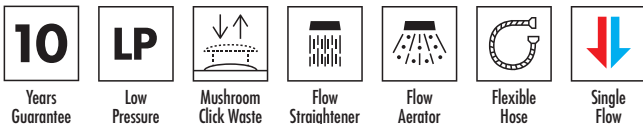
Flow Rates

Pressure	0.2	0.5	1	3
Flow Aerator	-	-	-	-
Flow Straightener	11.4	20.2	30.2	54.1

All Pressures in Bar. All flow in L/Min. Dimensions supplied are nominal and subject to tolerance. Inclusion or restrictors (sold separately unless stated) will affect flow rate result. Performance details are based on trials under test conditions and for guidance only. The Company reserves the right to change product specification without prior notice.



Key Features + Benefits



Certifications + Approvals

Flow Rate – 11.4 l/min

Tested at 0.2 Bar