

Technical Data Sheet | Dual Flush Plates + Buttons

www.instinctproducts.co.uk

Replacement Dual Flush Buttons (Close Coupled Ceramic Cistern)

INST02044, INST02045, INST02036, INST02037, INST02080, INST02081



Specification

Finish	Black – ø38mm (INST02036) Black – ø48mm (INST02037) Brushed Brass – ø38mm (INST02044) Brushed Brass – ø48mm (INST02045) Gunmetal – ø38mm (INST02080) Gunmetal – ø48mm (INST02081)
--------	--

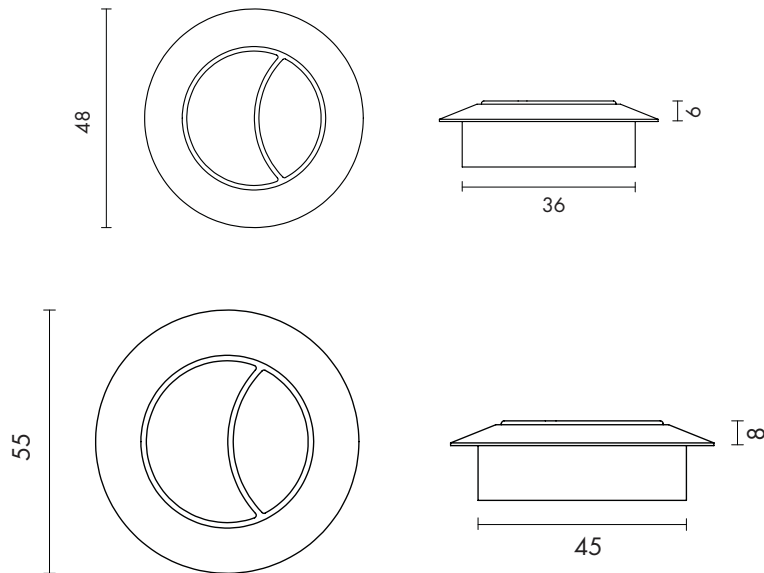
Flush Button Dimensions	38 (diameter) mm 48 (diameter) mm
-------------------------	--------------------------------------

Kit Weight	0.03kg – ø38mm 0.05kg – ø48mm
------------	----------------------------------

Flush (Single / Dual)	Dual
-----------------------	------

FAQs

Please see next page



Key Features + Benefits

5

Years
Guarantee

Certifications + Approvals

Roper Rhodes

Brassmill Lane Trading Estate, Bath, BA1 3JF. Technical Support – Tel: 01225 303 900 Email: sales@roperrhodes.co.uk

All information on the data sheet is correct at the time of publication. All measurements are approximate and subject to standard tolerances.

Technical Data Sheet | Dual Flush Plates + Buttons

www.instinctproducts.co.uk

Replacement Dual Flush Buttons (Close Coupled Ceramic Cistern)

INST02044, INST02045, INST02036, INST02037, INST02080, INST02081

FAQs

Q – What is the flush button made from?

A – ABS

Q – Which Close Coupled Ceramic Cisterns are these products compatible with?

A – These replacement flush buttons are compatible with the following Instinct close coupled cisterns:

- Ø38mm buttons are suitable for use with Espada (INST01009), Keros (INST01002), Kinsley (INST02022) close coupled ceramic cisterns.
- Ø48mm sized buttons are suitable for use with Eske (INST02058), Firbeck (INST01055), Lissett (INST02034) + Brierley (INST01034) close coupled ceramic cisterns.