

Firth Rimless Wall Hung Pan INSFIO13R, INSFIO04



Seat Specification

Duraplast Quick Release, Soft Close, Slim Sandwich, Seat + Cover (INSFIO04)

Finish	White
Dimensions	25(h) x 360(w) x 440(d) mm
Weight	2.85kg
Seat Hinge Material	Metal / Plastic
Antibacterial Protection	Yes
Seat Type	Slim
UV Protection	Yes
Max Load Test	150kg
Seat Material	Duraplus

Pan Specification

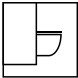

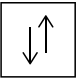

Rimless Wall Hung Pan (INSFIO13R)

Finish	White
Dimensions	400(h) x 360(w) x 520(d) mm
Weight	25kg
Fixing Supplied	Yes
Fixing Exposed or Concealed	Concealed

FAQs

Please see next page

Key Features + Benefits

25	1				
Years Guarantee on Ceramics	Year Guarantee on Seats	Wall Hung Pan	Rimless Pan	Quick Release Seat	Soft Close Seat

Certifications + Approvals

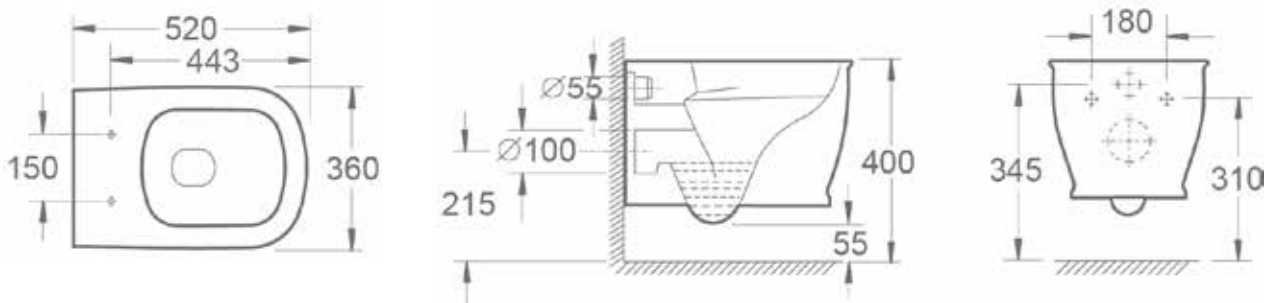
Imex Ceramics

15 Millbrook Industrial Estate, Sybron Way, Crowborough TN6 3DU. Technical Support – Tel: 01530 835598 Email: sales@imexceramic.co.uk

All information on the data sheet is correct at the time of publication. All measurements are approximate and subject to standard tolerances.

Firth Rimless Wall Hung Pan INSF1013R, INSF1004

Pan (INSF1013R)



Seat (INSF1004)

