

### Firth Standard Height Open Back Close Coupled WC Suite INSF1001, INSF1002, INSF1004



#### Cistern Specification

Close Coupled Dual Flush Cistern  
(INSF1002)

Finish	White
Dimensions	430(h) x 360(w) x 185(d) mm
Weight	15.5kg
Cistern Fitting Manufacturer	R&T
Lever	Push Button
Lever Position	Cistern Lid
Inlet Position (When looking at WC)	Right Hand

#### Seat Specification

Duraplast Quick Release, Soft Close, Slim Sandwich,  
Seat + Cover  
(INSF1004)

Finish	White
Dimensions	25(h) x 360(w) x 440(d) mm
Weight	2.85kg
Seat Hinge Material	Metal / Plastic
Antibacterial Protection	Yes
Seat Type	Slim
UV Protection	Yes
Max Load Test	150kg
Seat Material	Duraplast

#### Pan Specification

Standard Height Open Back Close Coupled Pan  
(INSF1001)

Finish	White
Dimensions	400(h) x 360(w) x 680(d) mm
Weight	35.5kg
Fixing Supplied	Yes
Fixing Exposed or Concealed	Exposed

#### FAQs

Please see next page

#### Key Features + Benefits

<b>25</b> Years Guarantee on Ceramics	<b>1</b> Year Guarantee on Seats	<b>3</b> Years Guarantee on Cistern Components	 Open Back WC Suite	 Close Coupled WC Suite	 Dual Flush Volume	 Quick Release Seat	 Soft Close Seat
---	--	--	---------------------------	-------------------------------	--------------------------	---------------------------	------------------------

#### Certifications + Approvals

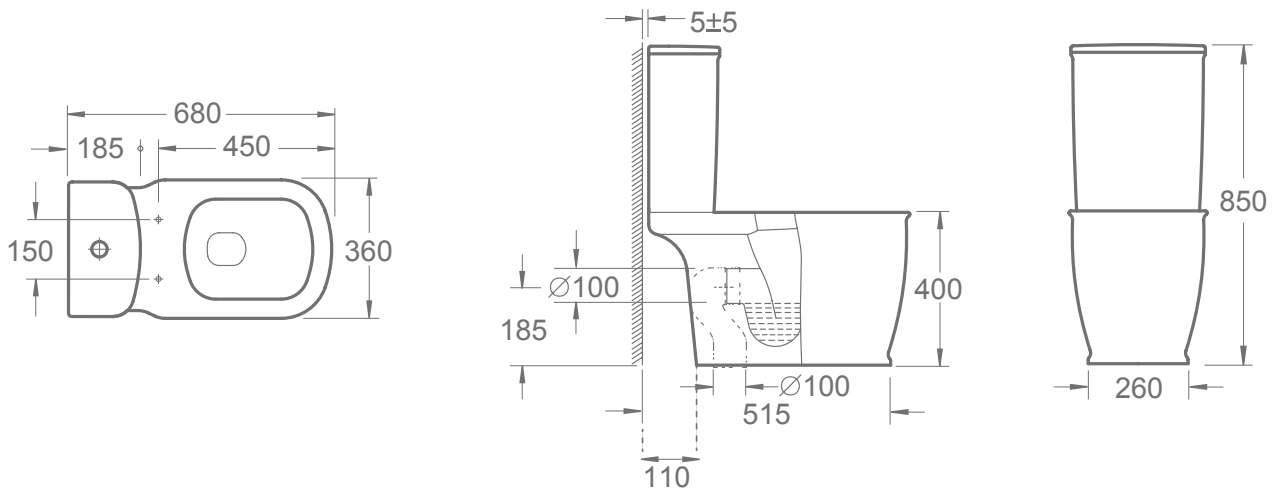
#### Imex Ceramics

15 Millbrook Industrial Estate, Sybron Way, Crowborough TN6 3DU. Technical Support – Tel: 01530 835598 Email: sales@imexceramic.co.uk

All information on the data sheet is correct at the time of publication. All measurements are approximate and subject to standard tolerances.

### Firth Standard Height Open Back Close Coupled WC Suite INSF1001, INSF1002, INSF1004

#### Pan (INSF1001) + Cistern (INSF1002)



#### Seat (INSF1004)

