

Firbeck 370mm Countertop Basin (Black) INST04003

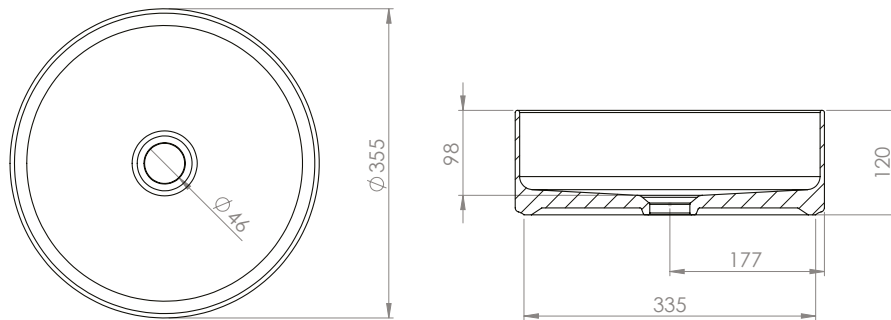


Specification

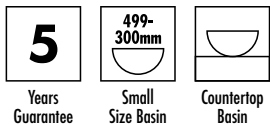
Finish	Black
Dimensions	120(h) x 380(w) x 380(d) mm
Weight	7kg
Basin Material	Ceramic
Overflow	No
Chainstay Hole	No
Taphole Positioning	-

FAQs

Please see next page



Key Features + Benefits



Certifications + Approvals

Roper Rhodes

Brassmill Lane Trading Estate, Bath, BA1 3JF. Technical Support – Tel: 01225 303 900 Email: sales@roperrhodes.co.uk

All information on the data sheet is correct at the time of publication. All measurements are approximate and subject to standard tolerances.

Firbeck 370mm Countertop Basin (Black) INST04003

FAQs

Q – What is the maximum water depth of the basin?

A – Measurement not applicable. Since this basin does not have an overflow channel it should only be used with an open waste.

Q – Can this basin be wall mounted?

A – No.

Q – What ranges can this basin be used on?

A – Please see compatibility matrix below.

Q – What are the taphole/ basin waste sizes?

A – All sizes are to British Standard – (BS EN 31)
 – Diameter of the central tap hole = 35mm : +2/ -1mm
 – Bore of the waste outlet hole = 46mm : +2 / - 3mm

Q – Where should the basin be located on the worktop?

A – We recommend it being centralised on the worktop left to right. Front to back should be set based on desired tap location and waste outlet.

Countertop Basin + Modular Furniture Compatibility

Range	Modular Furniture Range							
	Andros		Ios		Espada			
	500	600	500	600	500	600	700	800
INST04001 Espada 380mm Countertop Basin	●	●	●	●	●	●	●	●
INST04002 Firbeck 370mm Countertop Basin	●	●	●	●	●	●	●	●
INST04003 Firbeck 370mm Countertop Basin (Black)	●	●	●	●	●	●	●	●
INST04004 Brierley 490mm Countertop Basin		●		●		●	●	●
INST04005 Keros Square 410mm Countertop Basin		●		●		●	●	●
INST04006 Keros Rectangle 460mm Countertop Basin		●		●		●	●	●