

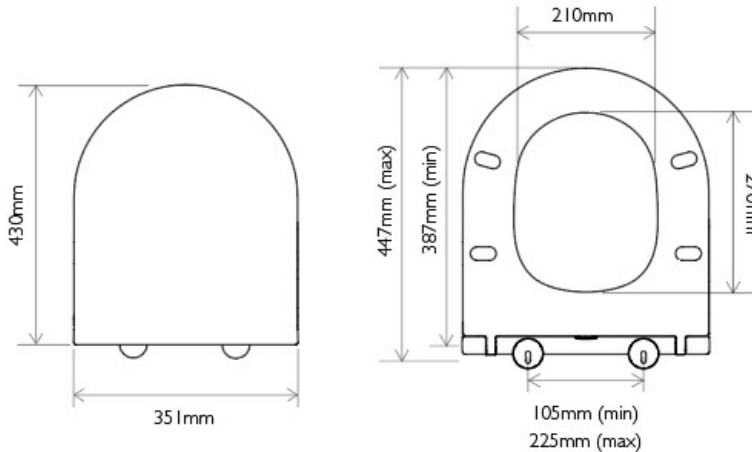
Firbeck Quick Release, Soft Close, Slim Seat + Cover INST02068-SF



Specification

Finish	White
Dimensions	45(h) x 353(w) x 430(d) mm
Weight	2.3kg
Seat Hinge Material	Stainless Steel
Antibacterial Protection	No
Seat Type	Slim
UV Protection	-
Max Load Test	150kg
Seat Material	Thermoset

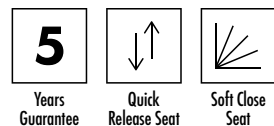
Secure-Fix



Extra Dimensions

Seat/Lid Front to Back – 430mm
 Seat/Lid Left to Right – 351mm
 Ring Hole Front to Back – 270mm
 Ring Hole Left to Right – 210mm
 Width of Back of Seat – 351mm

Key Features + Benefits



Certifications + Approvals

Roper Rhodes

Brassmill Lane Trading Estate, Bath, BA1 3JF. Technical Support – Tel: 01225 303 900 Email: sales@roperrhodes.co.uk

All information on the data sheet is correct at the time of publication. All measurements are approximate and subject to standard tolerances.