

### Firbeck Comfort Height Short Projection Rimless Back To Wall Pan INST02065, INST01054-SF



#### Seat Specification

Quick Release, Soft Close, Wrap-Over Seat & Cover (INST01054-SF)

Finish	White
Dimensions	50(h) x 345(w) x 424(d) mm
Weight	2kg
Seat Hinge Material	Stainless Steel
Antibacterial Protection	No
Seat Type	Standard Wrap
UV Protection	-
Max Load Test	150kg
Seat Material	Thermoset

#### Pan Specification

Comfort Height Short Projection Rimless Back To Wall Pan (INST02065)

Finish	White
Dimensions	460(h) x 340(w) x 495(d) mm
Weight	32kg
Fixing Supplied	Yes
Fixing Exposed or Concealed	Concealed

#### Key Features + Benefits

<b>10</b>	<b>5</b>	<b>2</b>						
Years Guarantee on Ceramics	Years Guarantee on Seats	Years Guarantee on Cistern Components	Back To Wall Pan	Comfort Height	Short Projection	Rimless Pan	Quick Release Seat	Soft Close Seat

#### Certifications + Approvals

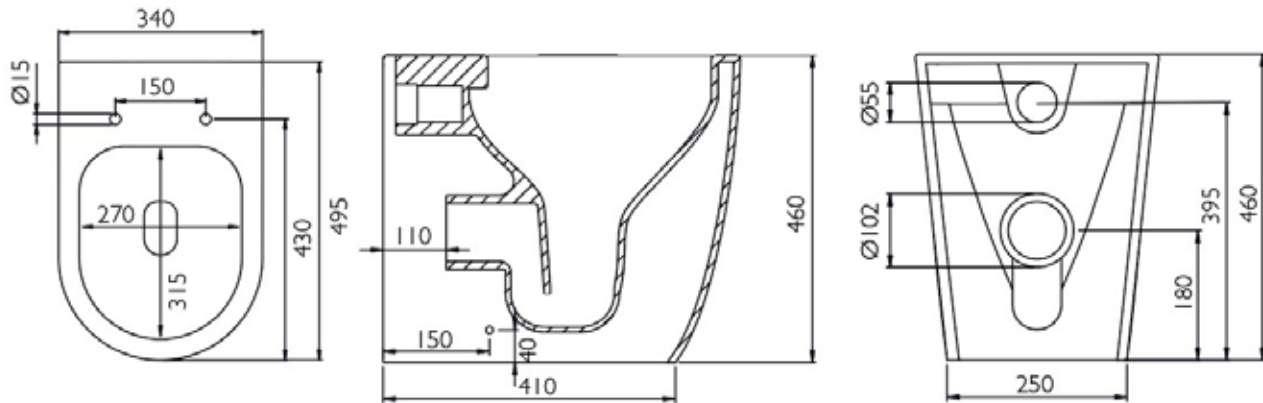
#### Roper Rhodes

Brassmill Lane Trading Estate, Bath, BA1 3JF. Technical Support – Tel: 01225 303 900 Email: sales@roperrhodes.co.uk

All information on the data sheet is correct at the time of publication. All measurements are approximate and subject to standard tolerances.

### Firbeck Comfort Height Short Projection Rimless Back To Wall Pan INST02065, INST01054-SF

#### Pan (INST02065)

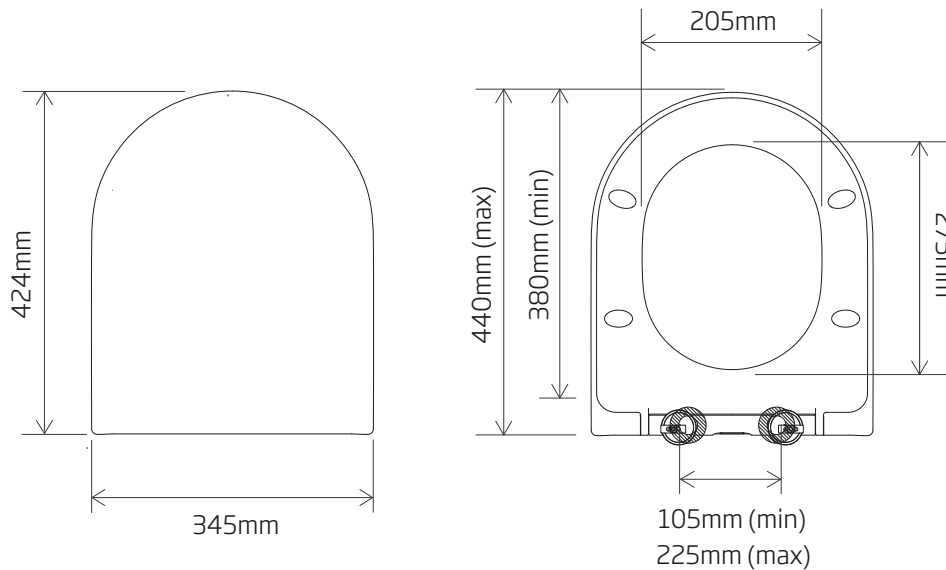


#### Extra Dimensions

Front to Back Footprint – 410mm  
 Left to Right Footprint – 250mm  
 Bowl Front to Back – 315mm  
 Bowl Left to Right – 270mm  
 Pan Height – 460mm  
 Pan Overall Front to Back – 495mm  
 Centre Flush Inlet to Floor – 395mm  
 Centre Waste Outlet to Floor – 180mm  
 Width of Void – 180mm  
 Distance from Spigot to Back of Pan – 110mm

#### Seat (INST01054-SF)

Secure-Fix 



#### Extra Dimensions

Seat/Lid Front to Back – 424mm  
 Seat/Lid Left to Right – 345mm  
 Ring Hole Front to Back – 275mm  
 Ring Hole Left to Right – 205mm  
 Seat Overall Thickness – 44mm  
 Width of Back of Seat – 345mm

#### Roper Rhodes

Brassmill Lane Trading Estate, Bath, BA1 3JF. Technical Support – Tel: 01225 303 900 Email: sales@roperrhodes.co.uk

All information on the data sheet is correct at the time of publication. All measurements are approximate and subject to standard tolerances.