

Firbeck Quick Release, Soft Close, Wrap-Over Seat + Cover INST01054-SF



Specification

Finish	White
Dimensions	50(h) x 345(w) x 424(d) mm
Weight	2kg
Seat Hinge Material	Stainless Steel
Antibacterial Protection	No
Seat Type	Standard Wrap
UV Protection	-
Max Load Test	150kg
Seat Material	Thermoset

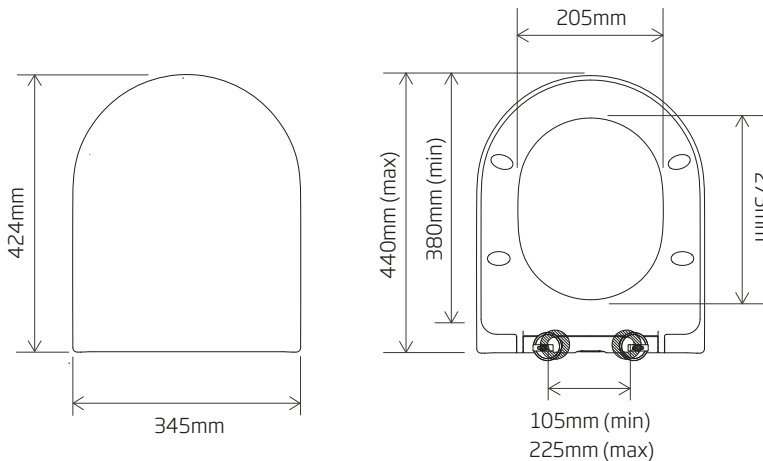
Spares

Quick Release Hinge	SP16657
Fixing Kit	
Ring Buffer x 2	SP16223
Seat Lid Buffer x 2	SP16658

FAQs

Please see next page

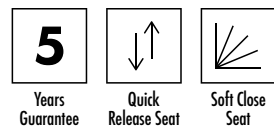
Secure-Fix **QR**



Extra Dimensions

Seat/Lid Front to Back – 424mm	Ring Hole Left to Right – 205mm
Seat/Lid Left to Right – 345mm	Seat Overall Thickness – 44mm
Ring Hole Front to Back – 275mm	Width of Back of Seat – 345mm

Key Features + Benefits



Certifications + Approvals

Roper Rhodes

Brassmill Lane Trading Estate, Bath, BA1 3JF. Technical Support – Tel: 01225 303 900 Email: sales@roperrhodes.co.uk

All information on the data sheet is correct at the time of publication. All measurements are approximate and subject to standard tolerances.

Firbeck Quick Release, Soft Close, Wrap-Over Seat + Cover INST01054-SF

FAQs

Q – What's the maximum test load of the seat?

A – 150kg.

Q – What are the fixings made from?

A – Stainless Steel Cover Plates/Screws, Nylon Anchor Plates, Rubber Washers, Rubber Fixing Plugs.