

Firbeck Standard Height Short Projection Rimless Closed Back Close Coupled WC Suite INST01053, INST01055, INST01054-SF



Cistern Specification

Close Coupled Dual Flush Cistern
(INST01055)

Finish	White
Dimensions	410(h) x 340(w) x 140(d) mm
Weight	14.27kg
Cistern Fitting Manufacturer	R&T
Lever	Push button
Lever Position	Cistern lid
Inlet Position (When looking at WC)	Bottom right

Seat Specification

Quick Release, Soft Close, Wrap-Over Seat & Cover
(INST01054-SF)

Finish	White
Dimensions	50(h) x 345(w) x 424(d) mm
Weight	2kg
Seat Hinge Material	Stainless Steel
Antibacterial Protection	No
Seat Type	Standard Wrap
UV Protection	-
Max Load Test	150kg
Seat Material	Thermoset

Pan Specification

Standard Height Short Projection Rimless Closed Back
Close Coupled Pan
(INST01053)

Finish	White
Dimensions	420(h) x 340(w) x 610(d) mm
Weight	32.72kg
Fixing Supplied	Yes
Fixing Exposed or Concealed	Concealed

Spares

Please see next page

FAQs

Please see next page

Key Features + Benefits

10 Years Guarantee on Ceramics	5 Years Guarantee on Seats	2 Years Guarantee on Cistern Components	Closed Back WC Suite	Close Coupled WC Suite	Rimless Pan	Short Projection Pan	6 Ltr 4 Ltr Dual Flush Volume	Air Gap Inlet Valve	Soft Close Seat
---	---	--	-------------------------	---------------------------	----------------	-------------------------	--	------------------------	--------------------

Certifications + Approvals

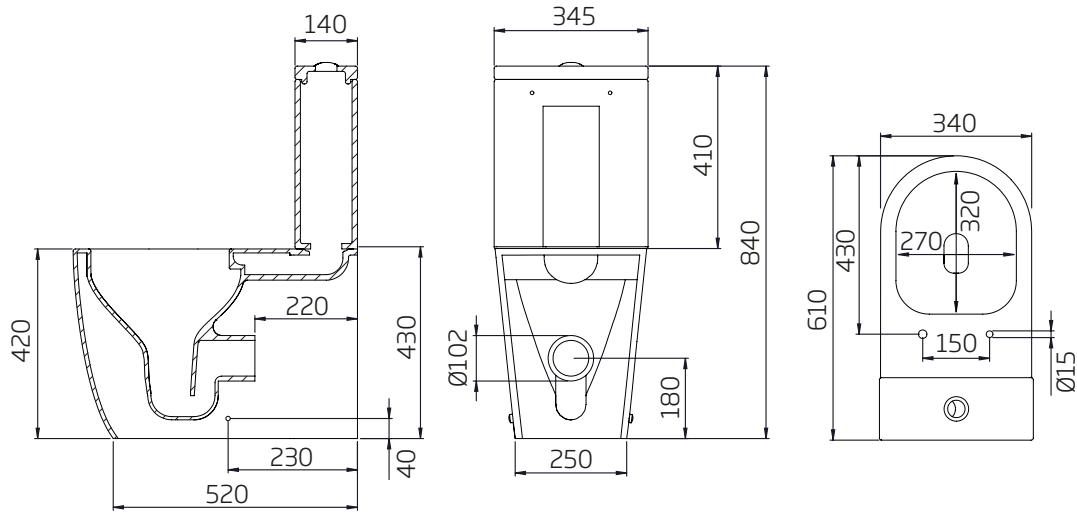
Roper Rhodes

Brassmill Lane Trading Estate, Bath, BA1 3JF. Technical Support – Tel: 01225 303 900 Email: sales@roperrhodes.co.uk

All information on the data sheet is correct at the time of publication. All measurements are approximate and subject to standard tolerances.

Firbeck Standard Height Short Projection Rimless Closed Back Close Coupled WC Suite INST01053, INST01055, INST01054-SF

Pan (INST01053) + Cistern (INST01055)



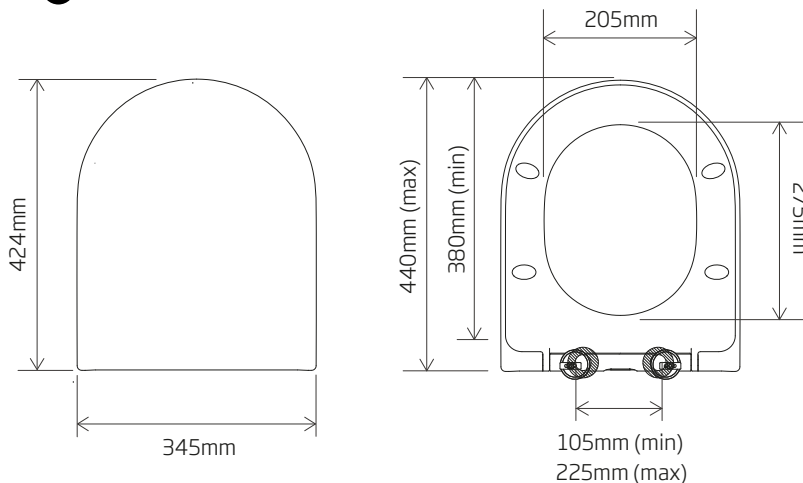
Extra Dimensions

Front to Back Footprint – 520mm
Left to Right Footprint – 250mm
Bowl Front to Back – 320mm
Bowl Left to Right – 270mm
Pan Height – 420mm
Pan Overall Front to Back – 610mm

Centre Waste Outlet to Floor – 180mm
Width of Void – 180mm
Is there a Ceramic Brace Bar – No
Distance from Spigot to back of Pan – 220mm

Seat (INST01054-SF)

Secure-Fix 



Extra Dimensions

Seat/Lid Front to Back – 424mm
Seat/Lid Left to Right – 345mm
Ring Hole Front to Back – 275mm
Ring Hole Left to Right – 205mm
Seat Overall Thickness – 44mm
Width of Back of Seat – 345mm

Spares

Floor Fixing Kit	SP11078
Flush Valve with Telescopic Overflow (A24232)	INST02043
Rubber Flap Seal (For A24232 Flush Valve)	SP19617
Air Gap Inlet Valve (Tall)	SP19528
Rubber Diaphragm (Air Gap Inlet Valve)	SP19616
Close Coupled Rubber Doughnut Washer	SP19539
Brass Tank Fixing Bolt Set (With M6*80mm Bolts)	SP19542
Chrome Flush Button (Ø48mm Hole)	SP19534
Black Flush Button (Ø48mm Hole)	INST02037
Brushed Brass Flush Button (Ø48mm Hole)	INST02045

Roper Rhodes

Brassmill Lane Trading Estate, Bath, BA1 3JF. Technical Support – Tel: 01225 303 900 Email: sales@roperrhodes.co.uk

All information on the data sheet is correct at the time of publication. All measurements are approximate and subject to standard tolerances.

Firbeck Standard Height Short Projection Rimless Closed Back Close Coupled WC Suite INST01053, INST01055, INST01054-SF

FAQs

Q – Where is the inlet valve?

A – Bottom inlet, back right of the pan.

Q – What is the flush volume?

A – 6/4L.

Q – Can this pan be used with a side connection outlet pipe?

A – No.

Q – Are there any other compatible seats?

A – No.

Q – Is this WC rimless or box rim?

A – Rimless.