

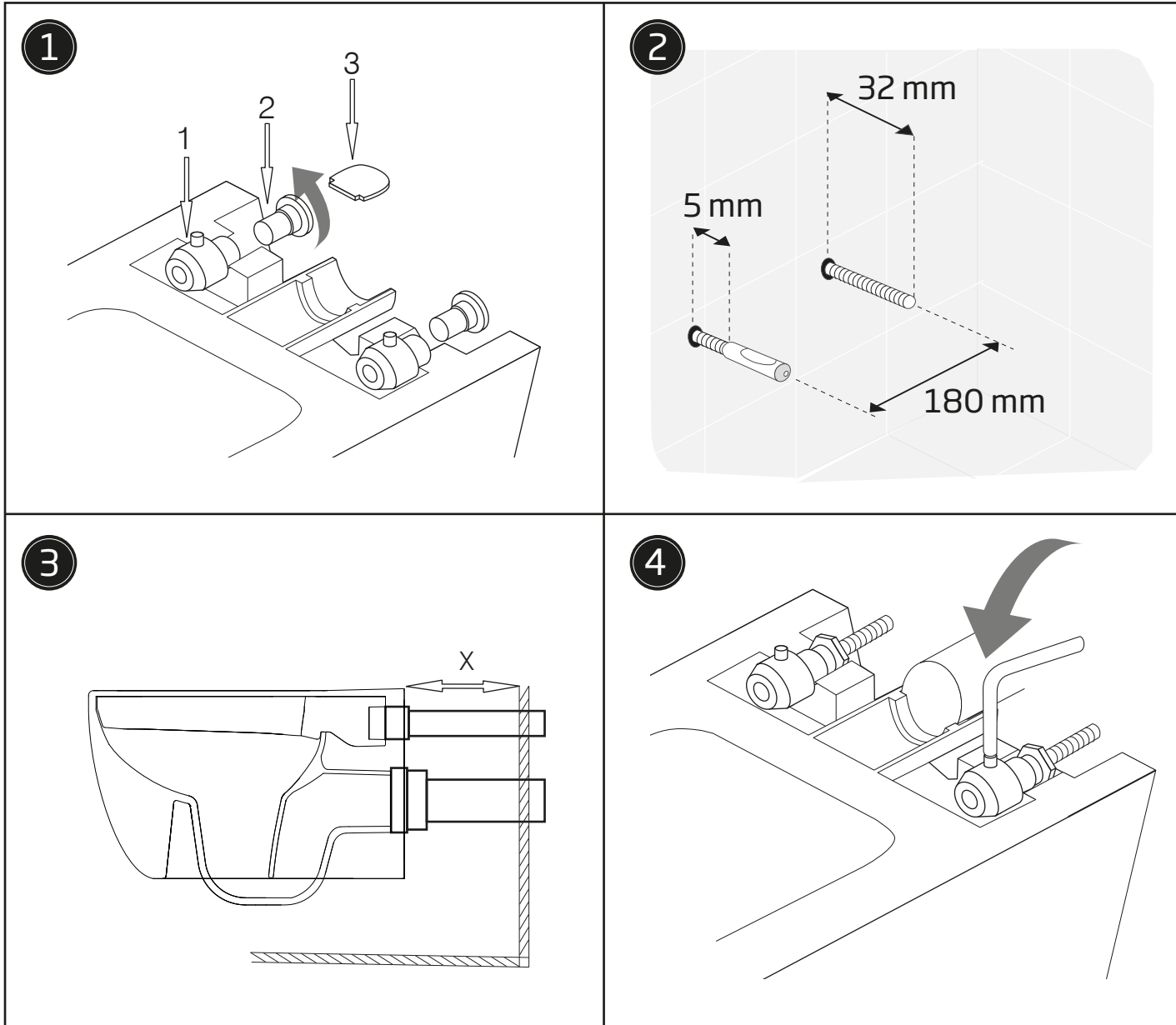
FIRBECK

WALL HUNG WC PAN

INST01051

FITTING INSTRUCTIONS

Please retain for future use



INSTALLATION INSTRUCTIONS

This pan must be installed with a wall hung pan frame. Please refer to the frame manufacturer's instructions for fitting the frame.

It is recommended that the wall hung pan is first positioned in the desired installation area and its final position marked faintly with a pencil. This is to ensure that the pan can be positioned quickly and all necessary fittings can be positioned correctly.

1. Tighten the hanging fixings (1, 2) using the key supplied (3). The black screw must face upwards and be visible through the seat holes of the WC pan.

2. Prepare the waste/outlet holes and frame fixing rod positions as shown in the picture and adjust if necessary. Screw on the two steel sleeves onto the fixing rods with the concave surfaces facing upwards and offer up the pan to the fixing rods.

3. Fix the flush pipe and waste pipe supplied with the wall hung frame onto the pan. Measure the excess amount of pipe (X) that needs to be removed taking note of any requirements in the wall hung frame instructions.

4. Place the WC and secure by tightening the screws in the fixing bushes. It is recommended that these fixings are tightened alternately to achieve an equal fit against the wall.

Note: Access the fixing bushes through the seat holes using the Allen key provided.