

Firbeck Standard Height Short Projection Rimless Back To Wall Pan INST01050, INST01054-SF



Seat Specification

Quick Release, Soft Close, Wrap-Over Seat & Cover (INST01054-SF)

Finish	White
Dimensions	50(h) x 345(w) x 424(d) mm
Weight	2kg
Seat Hinge Material	Stainless Steel
Antibacterial Protection	No
Seat Type	Standard Wrap
UV Protection	-
Max Load Test	150kg
Seat Material	Thermoset

Pan Specification

Standard Height Short Projection Rimless Back To Wall Pan (INST01050)

Finish	White
Dimensions	420(h) x 340(w) x 495(d) mm
Weight	28kg
Fixing Supplied	Yes
Fixing Exposed or Concealed	Concealed

Spares

Floor Fixing Kit	SP11078
Floor Fixing Cover Caps (White)	SP20757
Floor Fixing Cover Caps (Chrome)	SP20758

FAQs

Please see next page

Key Features + Benefits

10	5	2					
Years Guarantee on Ceramics	Years Guarantee on Seats	Years Guarantee on Cistern Components	Back To Wall Pan	Short Projection	Rimless Pan	Quick Release Seat	Soft Close Seat

Certifications + Approvals

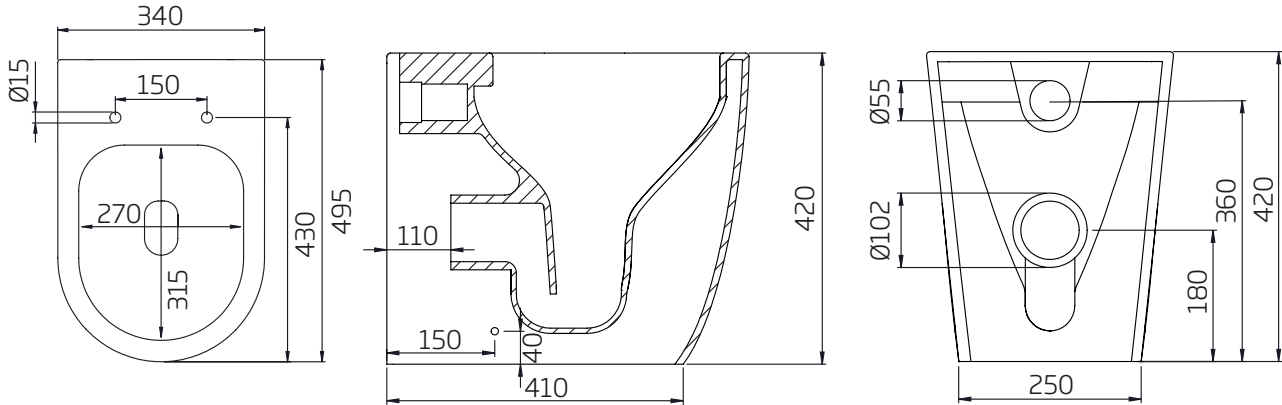
Roper Rhodes

Brassmill Lane Trading Estate, Bath, BA1 3JF. Technical Support – Tel: 01225 303 900 Email: sales@roperrhodes.co.uk

All information on the data sheet is correct at the time of publication. All measurements are approximate and subject to standard tolerances.

Firbeck Standard Height Short Projection Rimless Back To Wall Pan INST01050, INST01054-SF

Pan (INST01050)

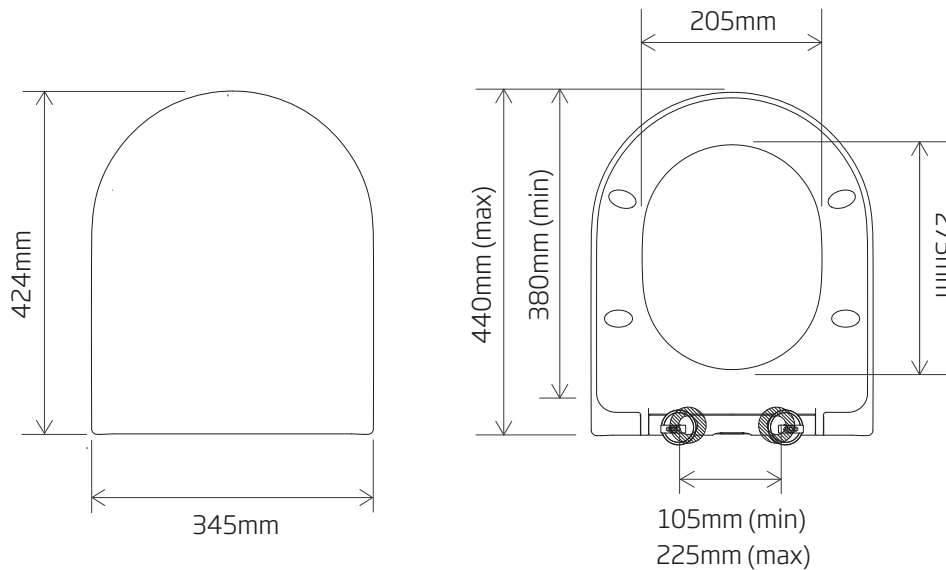


Extra Dimensions

Front to Back Footprint – 410mm
 Left to Right Footprint – 250mm
 Bowl Front to Back – 315mm
 Bowl Left to Right – 270mm
 Pan Height – 420mm
 Pan Overall Front to Back – 495mm
 Centre Flush Inlet to Floor – 360mm
 Centre Waste Outlet to Floor – 180mm
 Width of Void – 180mm
 Is there a Ceramic Brace Bar – No
 Distance from Spigot to back of Pan – 110mm

Seat (INST01054-SF)

Secure-Fix 



Extra Dimensions

Seat/Lid Front to Back – 424mm
 Seat/Lid Left to Right – 345mm
 Ring Hole Front to Back – 275mm
 Ring Hole Left to Right – 205mm
 Seat Overall Thickness – 44mm
 Width of Back of Seat – 345mm

Roper Rhodes

Brassmill Lane Trading Estate, Bath, BA1 3JF. Technical Support – Tel: 01225 303 900 Email: sales@roperrhodes.co.uk

All information on the data sheet is correct at the time of publication. All measurements are approximate and subject to standard tolerances.

Firbeck Standard Height Short Projection Rimless Back To Wall Pan INST01050, INST01054-SF

FAQs

Q – Are there any other compatible seats?

A – No.

Q – Which concealed cistern do I use?

A – Bottom inlet (INST13001) or Side Inlet (INST13002), depending on whether the water feed is bottom or side access. An In-Wall cistern (INST13009) is available for tiled-in installations.

Q – Is this WC rimless or box rim?

A – Rimless.