

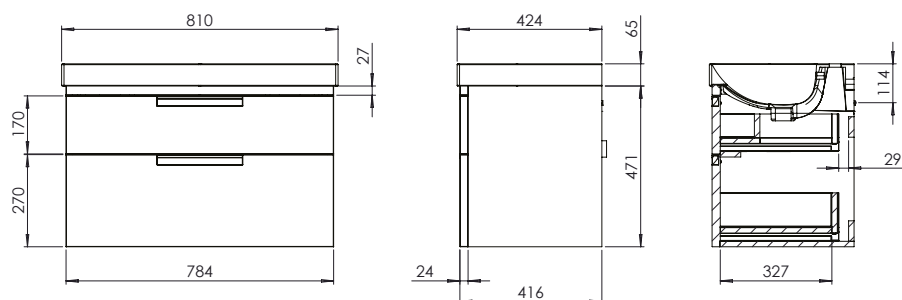
Espada 800mm Wall Mounted Two Drawer Basin Unit

INST0414813, INST0414814, INST0414815, INST0414816, INST041445



Specification

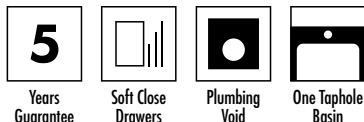
Finish	Gloss White (INST0414813) Gloss Light Grey (INST0414814) Matt Midnight Grey (INST0414815) Matt Willow (INST0414816) Swiss Oak (INST041445)
Dimensions	536(h) x 810(w) x 424(d) mm
Weight	34kg
Carcass Thickness	18/16mm
Carcass Material	MDF and MFC
Carcass Finish	Painted or PVC Wrap (INST041445)
Internal Cabinet Colour	Dark Grey or White (INST0414813)
Plumbing Void	44mm
Cabinet Fixing Type	Adjustable wall hangers
Door / Drawer Finish	Painted
Door / Frontal Material	MDF
Number of Doors	None
Number of Drawers	Two
Number of Internal Shelves	None
Door Handing	-
Hinge / Runner Type	Soft close
Handle / Knob	Two chrome plated handles (supplied)
Handle Centres	-
Pre-Drilled / Marked for handles	Pre-cut groove



Extra Dimensions

Internal Drawer Depth (Front to Back) – 327mm
Internal Drawer Height – 70mm
Internal Drawer Width – 706mm
Drawer Cut Out (W&D) – 173 x 227mm

Key Features + Benefits



FAQs

Please see next page

Certifications + Approvals

Roper Rhodes

Brassmill Lane Trading Estate, Bath, BA1 3JF. Technical Support – Tel: 01225 303 900 Email: sales@roperrhodes.co.uk

All information on the data sheet is correct at the time of publication. All measurements are approximate and subject to standard tolerances.

Technical Data Sheet | Modular Furniture

www.instinctproducts.co.uk

Espada 800mm Wall Mounted Two Drawer Basin Unit

INST0414813, INST0414814, INST0414815, INST0414816, INST041445

FAQs

Q – How big is the plumbing void at the back of the furniture?

A – 44mm.

Q – Are the handles fitted?

A – No, handles need fitting.

Q – Are the runners soft close?

A – The runners are both soft close and quick release.

Q – Can the drawers be adjusted?

A – They can be adjusted as detailed in the supplied instructions.

Q – How deep is the unit when the drawers are fully open?

A – Approx. 780mm including handle.

Q – What is the interior finish of the unit?

A – White on White Units. Dark Grey for all other finishes.