

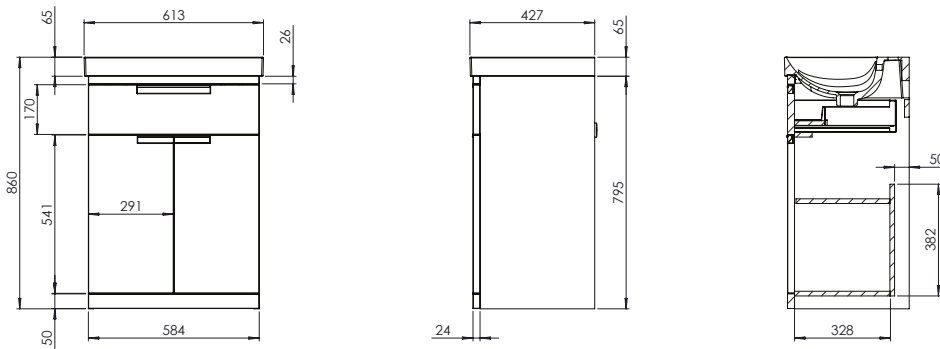
Espada 600mm Floor Standing Single Drawer Two Door Basin Unit

INST041429, INST0414210, INST0414211, INST0414212, INST041439



Specification

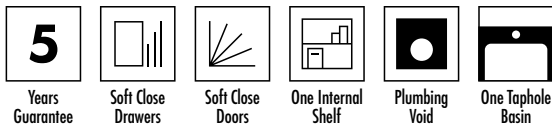
Finish	Gloss White (INST041429) Gloss Light Grey (INST0414210) Matt Midnight Grey (INST0414211) Matt Willow (INST0414212) Swiss Oak (INST041439)
Dimensions	860(h) x 613(w) x 427(d) mm
Weight	29kg
Carcass Thickness	18/16mm
Carcass Material	MDF and MFC
Carcass Finish	Painted or PVC Wrap (INST041439)
Internal Cabinet Colour	Dark Grey or White (INST041429)
Plumbing Void	50mm
Cabinet Fixing Type	Fix to wall via back brace
Door / Drawer Finish	Painted
Door / Frontal Material	MDF
Number of Doors	Two
Number of Drawers	One
Number of Internal Shelves	One (Fixed)
Door Handing	-
Hinge / Runner Type	Soft close
Handle / Knob	Three chrome plated handles (supplied)
Handle Centres	-
Pre-Drilled / Marked for handles	Pre-cut groove



Extra Dimensions

Internal Drawer Depth (Front to Back) – 327mm
Internal Drawer Height – 70mm
Internal Drawer Width – 506mm
Drawer Cut Out (W&D) – 170 x 227mm

Key Features + Benefits



FAQs

Please see next page

Certifications + Approvals

Roper Rhodes

Brassmill Lane Trading Estate, Bath, BA1 3JF. Technical Support – Tel: 01225 303 900 Email: sales@roperrhodes.co.uk

All information on the data sheet is correct at the time of publication. All measurements are approximate and subject to standard tolerances.

Espada 600mm Floor Standing Single Drawer Two Door Basin Unit

INST041429, INST0414210, INST0414211, INST0414212, INST041439

FAQs

Q – How big is the plumbing void at the back of the furniture?

A – 50mm.

Q – Are the handles fitted?

A – No, handles need fitting.

Q – Are the runners and hinges soft close?

A – The runners and hinges are both soft close and quick release.

Q – Can the drawer and doors be adjusted?

A – They can be adjusted as detailed in the supplied instructions.

Q – How deep is the unit when the drawer and doors are fully open?

A – Approx. 780mm including handle.

Q – What is the interior finish of the unit?

A – White on White Units. Dark Grey for all other finishes.