

### Espada 800mm Ceramic One Taphole Basin INST041404

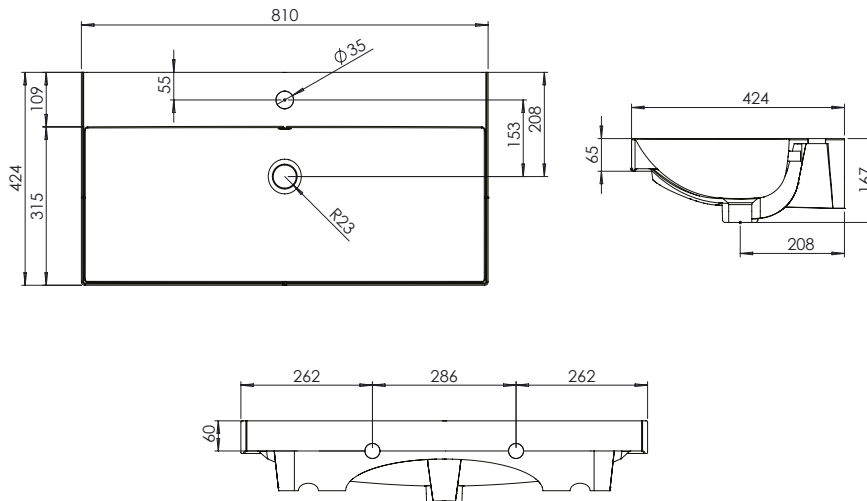


#### Specification

Finish	White
Dimensions	167(h) x 810(w) x 424(d) mm
Weight	17.4kg
Basin Material	Ceramic
Overflow	Yes
Chainstay Hole	No
Reversible	-
Taphole Positioning	Centre

#### FAQs

Please see next page



#### Key Features + Benefits



5  
Years  
Guarantee



One Taphole  
Basin

#### Certifications + Approvals

#### Roper Rhodes

Brassmill Lane Trading Estate, Bath, BA1 3JF. Technical Support – Tel: 01225 303 900 Email: sales@roperrhodes.co.uk

All information on the data sheet is correct at the time of publication. All measurements are approximate and subject to standard tolerances.

### Espada 800mm Ceramic One Taphole Basin INST041404

#### FAQs

**Q – What is the maximum water depth of the basin?**

A – 83mm up to the overflow.

**Q – What is the internal depth?**

A – The internal depth is 118mm.

**Q – What is the width of the Tapledge?**

A – The Tapledge is 109mm wide.

**Q – What is the distance from the Taphole centre to Basin Waste?**

A – 153mm.

**Q – Can the basin be wall mounted?**

A – Yes.

**Q – Are fixings supplied?**

A – No. We recommend using fixings suitable for the wall type that the basin will be mounted to.

**Q – What are the positions of the mounting points?**

A – The centres of the mounting slots in the basin are 286mm apart.

**Q – Does the product conform to British Standards?**

A – Yes. The product conforms to BS EN 31.

**Q – Does the basin fit other furniture?**

A – No.