

Espada 600mm Ceramic One Taphole Basin INST041403

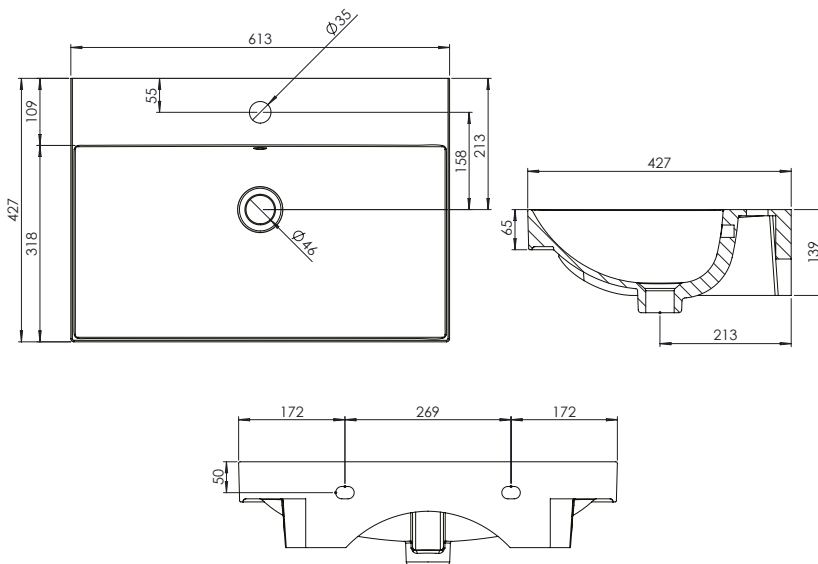


Specification

Finish	White
Dimensions	139(h) x 613(w) x 427(d) mm
Weight	14.6kg
Basin Material	Ceramic
Overflow	Yes
Chainstay Hole	No
Reversible	-
Taphole Positioning	Centre

FAQs

Please see next page



Key Features + Benefits



5
Years
Guarantee



One Taphole
Basin

Certifications + Approvals

Roper Rhodes

Brassmill Lane Trading Estate, Bath, BA1 3JF. Technical Support – Tel: 01225 303 900 Email: sales@roperrhodes.co.uk

All information on the data sheet is correct at the time of publication. All measurements are approximate and subject to standard tolerances.

Espada 600mm Ceramic One Taphole Basin INST041403

FAQs

Q – What is the maximum water depth of the basin?

A – 83mm up to the overflow.

Q – What is the internal depth?

A – The internal depth is 118mm.

Q – Whats is the width of the Tapledge?

A – The Tapledge is 109mm wide.

Q – What is the distance from the Taphole centre to Basin Waste?

A – 158mm.

Q – Can the basin be wall mounted?

A – Yes.

Q – Are fixings supplied?

A – No. We recommend using fixings suitable for the wall type that the basin will be mounted to.

Q – What are the positions of the mounting points?

A – The centres of the mounting slots in the basin are 269mm apart.

Q – Does the product conform to British Standards?

A – Yes. The product conforms to BS EN 31.

Q – Does the basin fit other furniture?

A – No.