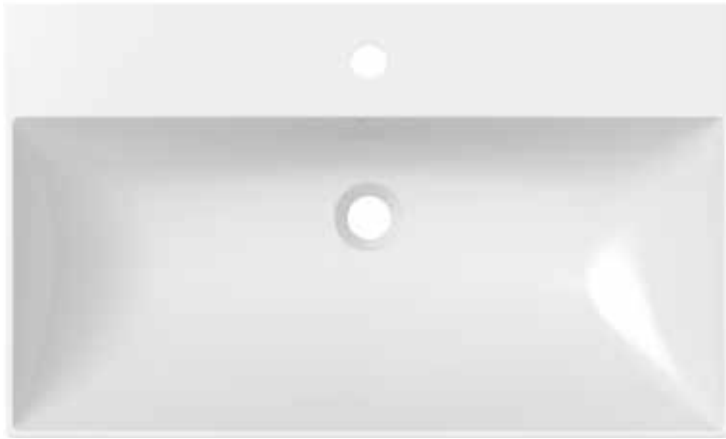


Espada 700mm Ceramic One Taphole Basin INST041402

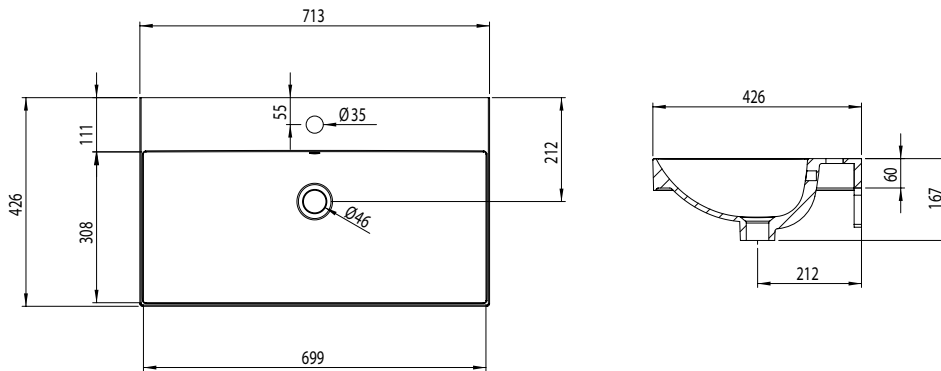


Specification

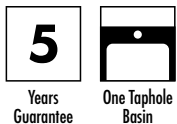
Finish	White
Dimensions	167(h) x 713(w) x 426(d) mm
Weight	13kg
Basin Material	Ceramic
Overflow	Yes
Chainstay Hole	No
Reversible	-
Taphole Positioning	Centre

FAQs

Please see next page



Key Features + Benefits



Certifications + Approvals

Roper Rhodes

Brassmill Lane Trading Estate, Bath, BA1 3JF. Technical Support – Tel: 01225 303 900 Email: sales@roperrhodes.co.uk

All information on the data sheet is correct at the time of publication. All measurements are approximate and subject to standard tolerances.

Espada 700mm Ceramic One Taphole Basin INST041402

FAQs

Q – What is the maximum water depth of the basin?

A – 83mm up to the overflow.

Q – What is the internal depth?

A – The internal depth is 118mm.

Q – Whats is the width of the Tapledge?

A – The Tapledge is 111mm wide.

Q – What is the distance from the Taphole centre to Basin Waste?

A – 157mm.