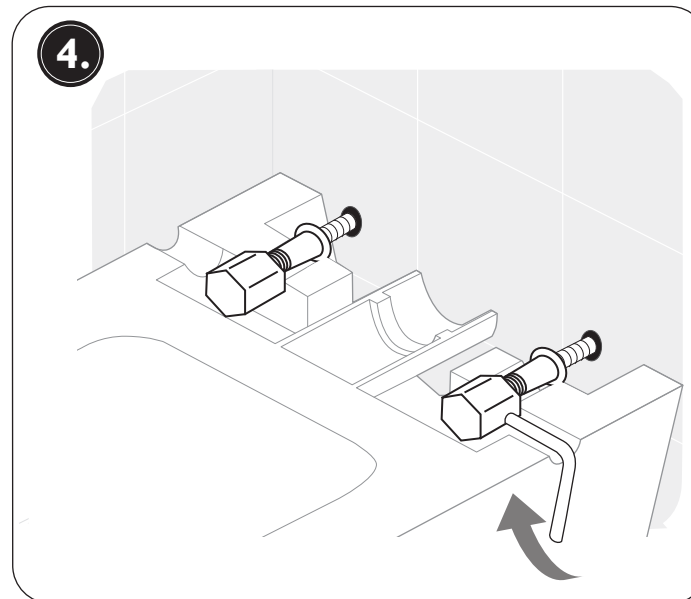
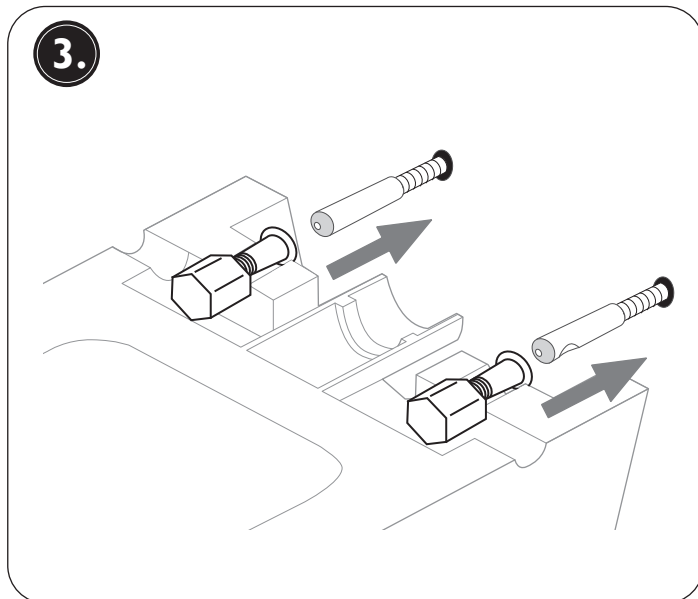
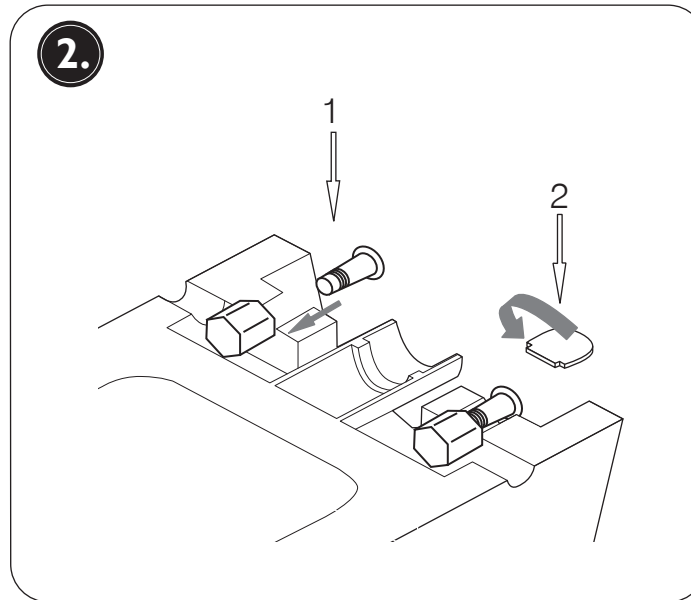
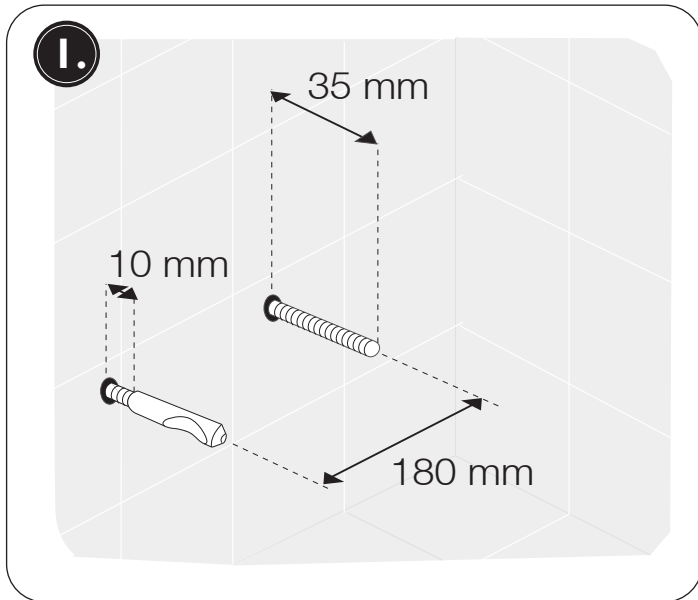


# INST01015 ESPADA WALL HUNG PAN

## FITTING INSTRUCTIONS

Please retain for future use



## INSTALLATION INSTRUCTIONS

This pan must be installed with a wall hung pan frame. Please refer to the frame manufacturer's instructions for fitting the frame.

It is recommended that the wall hung pan is first positioned in the desired installation area and its final position marked faintly with a pencil. This is to ensure that the pan can be positioned quickly and all necessary fittings can be positioned correctly.

1. Prepare the waste/outlet holes and frame fixing rod positions as shown in the picture and adjust if necessary. Screw on the two steel sleeves onto the fixing rods making sure that the concave surfaces facing out to the sides.

2. Install the fixings (1) and tighten them using the key supplied (2).

3. Place the pan on the fixing rods.

4. Secure by tightening the screws in the fixing bushes. It is recommended that these fixings are tightened alternately to achieve an equal fit against the wall.

Then cover the access holes with the cover caps supplied.