

Espada Rimless Wall Hung Pan INST01031, INST01023



Seat Specification

Quick Release, Soft Close, Wrap-Over, Seat & Cover (INST01023)

Finish	White
Dimensions	47(h) x 369(w) x 450(d) mm
Weight	2.4kg
Seat Hinge Material	Stainless Steel
Antibacterial Protection	No
Seat Type	Wrap Over
UV Protection	-
Max Load Test	150kg
Seat Material	Thermoset

Pan Specification

Rimless Wall Hung Pan (INST01031)

Finish	White
Dimensions	355(h) x 365(w) x 505(d) mm
Weight	23kg
Fixing Supplied	Yes
Fixing Exposed or Concealed	Concealed

Spares

Wall Hung Pan Fixing Kit	SP17013
--------------------------	---------

FAQs

Please see next page

Key Features + Benefits

10 Years Guarantee on Ceramics	5 Years Guarantee on Seats	Wall Hung Pan	Rimless Pan	4.5 Ltr 3 Ltr Dual Flush Volume	Quick Release Seat	Soft Close Seat
---	---	------------------	----------------	--	-----------------------	--------------------

Certifications + Approvals

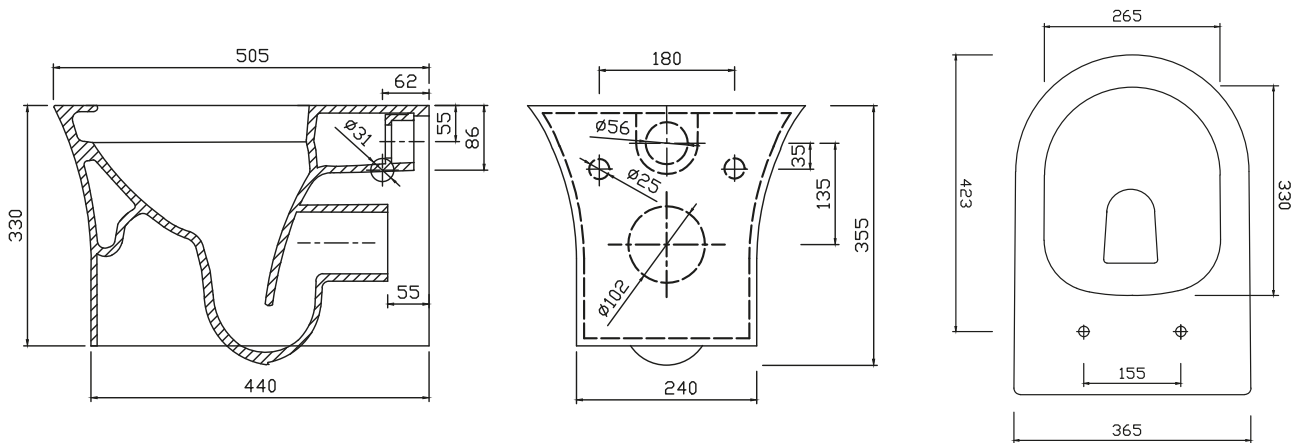
Roper Rhodes

Brassmill Lane Trading Estate, Bath, BA1 3JF. Technical Support – Tel: 01225 303 900 Email: sales@roperrhodes.co.uk

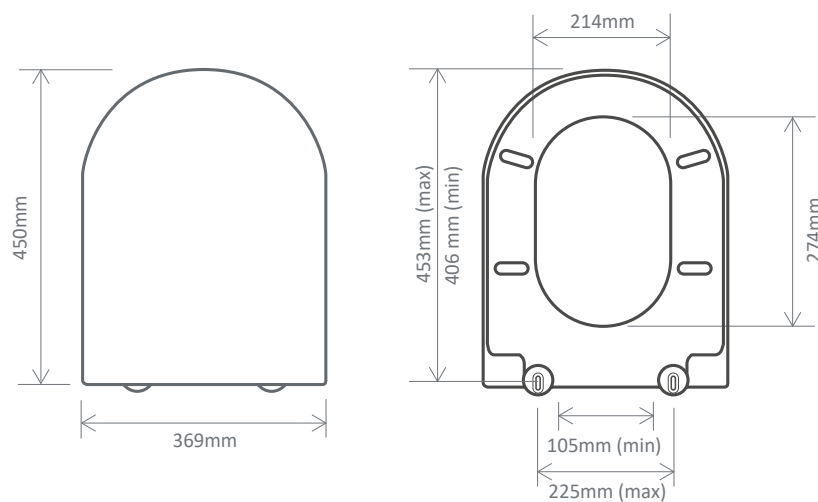
All information on the data sheet is correct at the time of publication. All measurements are approximate and subject to standard tolerances.

Espada Rimless Wall Hung Pan INST01031, INST01023

Pan (INST01031)



Seat (INST01023)



Extra Dimensions

Seat/Lid Front to Back – 450mm
Seat/Lid Left to Right – 369mm
Ring Hole Front to Back – 274mm
Ring Hole Left to Right – 214mm

Seat Overall Thickness – N/A
Width of Back of Seat – N/A
Min/Max Adjustment for Fixings –
105/225, 406/453mm

Roper Rhodes

Brassmill Lane Trading Estate, Bath, BA1 3JF. Technical Support – Tel: 01225 303 900 Email: sales@roperrhodes.co.uk

All information on the data sheet is correct at the time of publication. All measurements are approximate and subject to standard tolerances.

Espada Rimless Wall Hung Pan INST01031, INST01023

FAQs

Q – Do I need to use a wall hung frame?

A – Yes, it is essential that this product is installed onto a frame.

Q – Does the pan use concealed fixings?

A – No, use the standard bolts, nuts and caps supplied with the wall hung frame.

Q – What is the rim type?

A – Rimless.

Q – What's the maximum test load of the seat?

A – 150kg.

Q – What are the fixings made from?

A – Stainless Steel Cover Plates/Screws, Nylon Anchor Plates, Rubber Washers, Rubber Fixing Plugs.