

Espada Standard Height Short Projection Rimless Back To Wall Pan INST01012, INST01011



Seat Specification

Quick Release, Soft Close, Slim, Seat & Cover (INST01011)

Finish	White
Dimensions	27(h) x 368(w) x 450(d) mm
Weight	3.1 kg
Seat Hinge Material	Stainless Steel
Antibacterial Protection	No
Seat Type	Slim
UV Protection	-
Max Load Test	150kg
Seat Material	Thermoset

Pan Specification

Standard Height Short Projection Rimless Back To Wall Pan (INST01012)

Finish	White
Dimensions	420(h) x 365(w) x 560(d) mm
Weight	27.9kg
Fixing Supplied	Yes
Fixing Exposed or Concealed	Exposed

Spares

Floor Fixing Kit	SP11078
------------------	---------

FAQs

Please see next page

Key Features + Benefits

10	5					
Years Guarantee on Ceramics	Years Guarantee on Seats	Back To Wall Hung Pan	Short Projection Pan	Rimless Pan	Quick Release Seat	Soft Close Seat

Certifications + Approvals

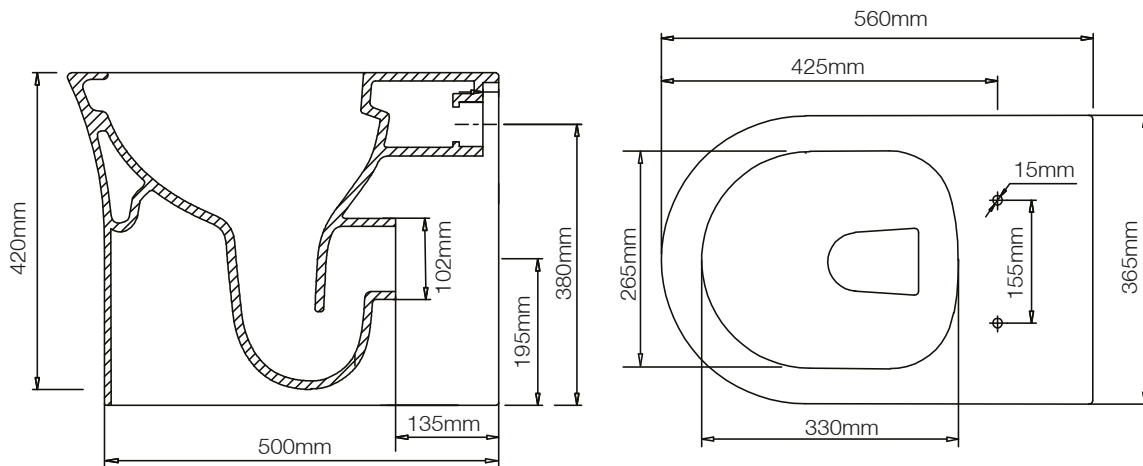
Roper Rhodes

Brassmill Lane Trading Estate, Bath, BA1 3JF. Technical Support – Tel: 01225 303 900 Email: sales@roperrhodes.co.uk

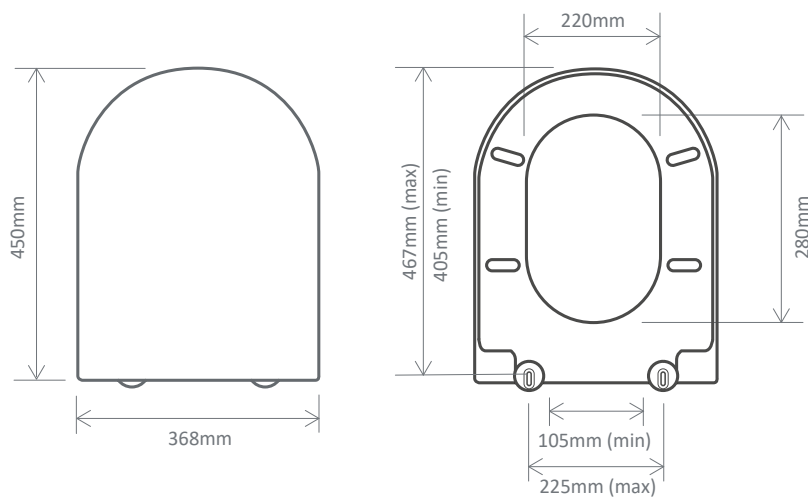
All information on the data sheet is correct at the time of publication. All measurements are approximate and subject to standard tolerances.

Espada Standard Height Short Projection Rimless Back To Wall Pan INST01012, INST01011

Pan (INST01012)



Seat (INST01011)



Extra Dimensions

Seat/Lid Front to Back – 450mm
 Seat/Lid Left to Right – 368mm
 Ring Hole Front to Back – 280mm
 Ring Hole Left to Right – 220mm

Seat Overall Thickness – N/A
 Width of Back of Seat – N/A
 Min/Max Adjustment for Fixings –
 105/225, 405/467mm

Roper Rhodes

Brassmill Lane Trading Estate, Bath, BA1 3JF. Technical Support – Tel: 01225 303 900 Email: sales@roperrhodes.co.uk

All information on the data sheet is correct at the time of publication. All measurements are approximate and subject to standard tolerances.

Espada Standard Height Short Projection Rimless Back To Wall Pan INST01012, INST01011

FAQs

Q – Are there any other compatible seats?

A – No.

Q – What is the footprint width (front)?

A – 235mm.

Q – What is the footprint width (back)?

A – 240mm.

Q – What is the footprint width (centre)?

A – 240mm.

Q – Is there a back brace?

A – Yes, 100mm from the top.

Q – What's the maximum test load of the seat?

A – 150kg.

Q – What are the fixings made from?

A – Chrome Plated Stainless Steel.