

Espada Quick Release, Soft Close, Slim, Seat & Cover INST01011



Specification

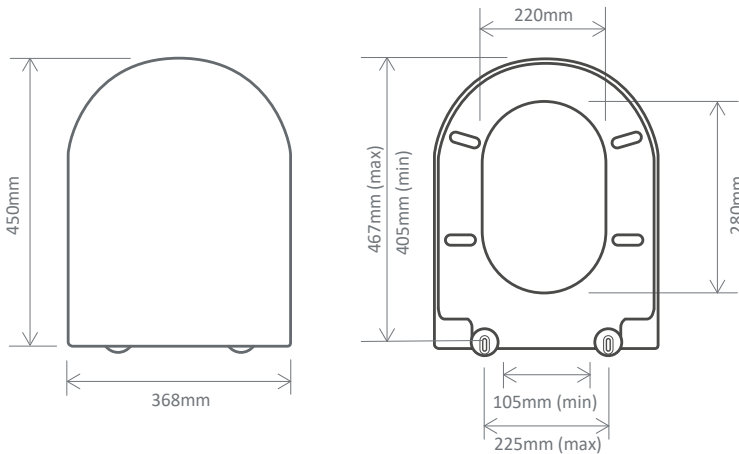
Finish	White
Dimensions	27(h) x 368(w) x 450(d) mm
Weight	3.1 kg
Seat Hinge Material	Stainless Steel
Antibacterial Protection	No
Seat Type	Slim
UV Protection	-
Max Load Test	150kg
Seat Material	Thermoset

Spares

Hinge Fixing Kit	SP16318
Damper Set (Pair)	SP18109
Soft Close Damper Retaining Clip	SP19258
Hinge Damper Cap	SP19723
Seat Ring Buffer	SP18111
Seat Lid Buffer	SP18112

FAQs

Please see next page

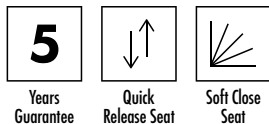


Extra Dimensions

Seat/Lid Front to Back – 450mm
Seat/Lid Left to Right – 368mm
Ring Hole Front to Back – 280mm
Ring Hole Left to Right – 220mm

Seat Overall Thickness – N/A
Width of Back of Seat – N/A
Min/Max Adjustment for Fixings –
105/225, 405/467mm

Key Features + Benefits



5 Years Guarantee Quick Release Seat Soft Close Seat

Certifications + Approvals

Roper Rhodes

Brassmill Lane Trading Estate, Bath, BA1 3JF. Technical Support – Tel: 01225 303 900 Email: sales@roperrhodes.co.uk

All information on the data sheet is correct at the time of publication. All measurements are approximate and subject to standard tolerances.

Espada Quick Release, Soft Close, Slim, Seat & Cover INST01011

FAQs

Q – What's the maximum test load of the seat?

A – 150kg.

Q – What are the fixings made from?

A – Chrome Plated Stainless Steel.