

### Espada Aluminium 450 x 900mm Double Panel Horizontal Radiator (Heating Only) ESAL-HDP0440900AT



#### Specification

Finish	Anthracite
Dimensions	440(h) x 900(w) x 122(d) mm
Weight	8.5kg
BTU Output/Hr	3960
Watts @ Δ T50°C	1161
Bars	6
Pipe Centres	870mm
Electric Element Wattage	–
End to End Connections	–
Radiator Columns	–
Material	Aluminium

All heat outputs are shown at 50°C Δt in compliance with BSEN442. Watts and Btu's apply to Heating and Dual Fuel only.

#### Key Features + Benefits



**10**

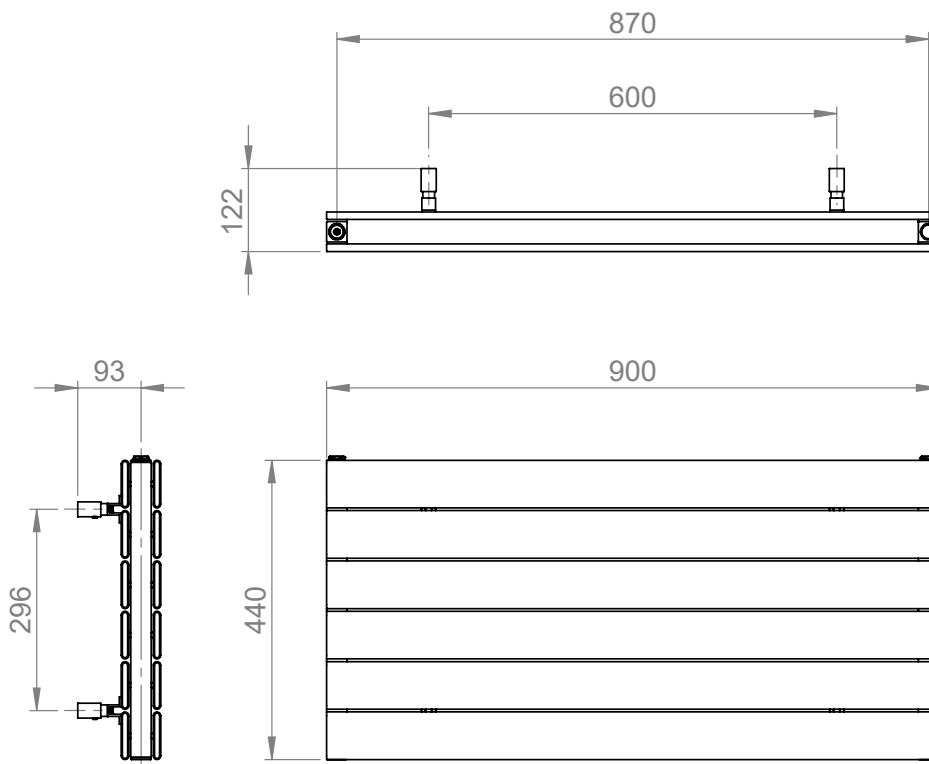
Years  
Guarantee

**AL**

Aluminium

#### Certifications + Approvals

### Espada Aluminium 450 x 900mm Double Panel Horizontal Radiator (Heating Only) ESAL-HDP0440900AT



\*Dual energy models require a conversion-tee, consult relevant drawing for details.