

### Eske LED Illuminated Mirror

INST05080, INST05081, INST05082, INST05083, INST05084



#### Key Features + Benefits

<b>5</b> Years Guarantee	<b>2</b> Years Guarantee Electrical Components	<b>IP44</b> Rated	<b>LED</b> Lighting	<b>CCT</b> Control Lighting	<b>IR</b> Infrared Controls
Heated Demister Pad	Portrait or Landscape Hanging				

#### Specification

	INST05080 (Rectangular)	INST05081 (Rectangular)	INST05082 (Rectangular)
Finish	White	White	White
Dimensions	800(h) x 400(w) x 26(d) mm	700(h) x 500(w) x 26(d) mm	800(h) x 600(w) x 26(d) mm
Weight	4kg	4.5kg	5kg
Lighting Type	LED	LED	LED
Colour Changing Technology (CCT)	Yes	Yes	Yes
Switch Location	Front	Front	Front
Surface/Recess Fitting	Surface	Surface	Surface
Carcass/Frame Construction Material	Aluminium	Aluminium	Aluminium
Glass Thickness	5mm	5mm	5mm

	INST05083 (Circular)	INST05084 (Circular)
Finish	White	White
Dimensions	600(diameter) mm	800(diameter) mm
Weight	5kg	7kg
Lighting Type	LED	LED
Colour Changing Technology (CCT)	Yes	Yes
Switch Location	Front	Front
Surface/Recess Fitting	Surface	Surface
Carcass/Frame Construction Material	Aluminium	Aluminium
Glass Thickness	5mm	5mm

#### Features

Lighting	Colour changing (CCT) and dimming LED technology
Controls	Contactless IR sensor

#### FAQs

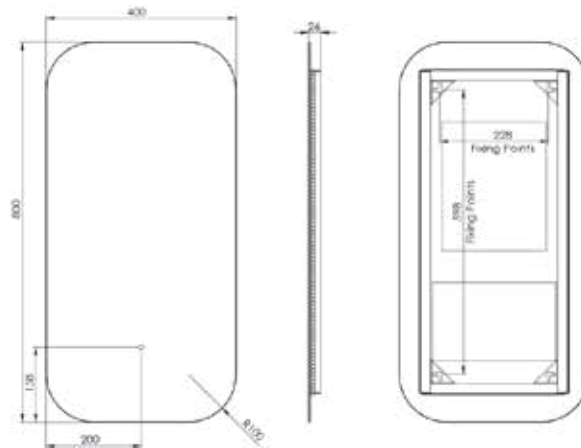
Please see following pages

#### Certifications + Accreditations

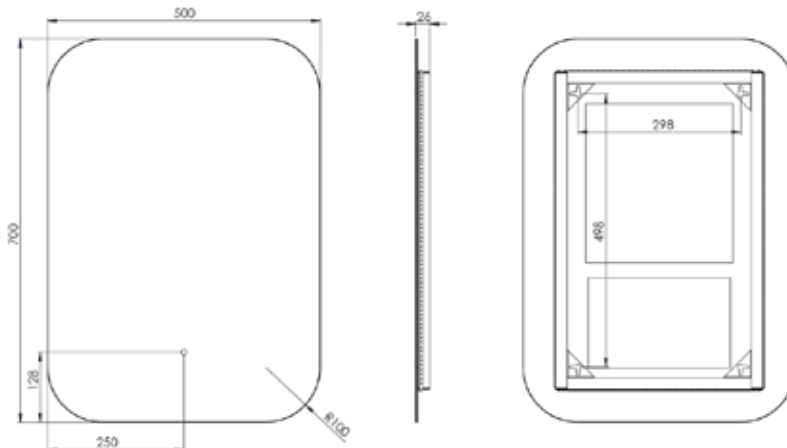
### Eske LED Illuminated Mirror

INST05080, INST05081, INST05082, INST05083, INST05084

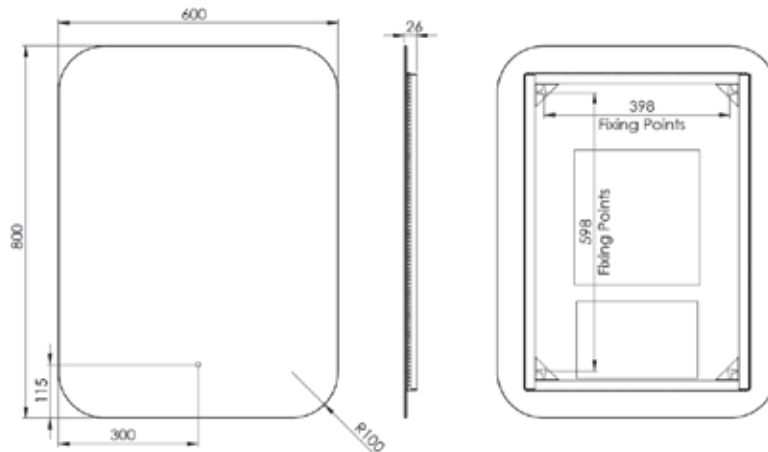
#### Rectangular (INST05080)



#### Rectangular (INST05081)



#### Rectangular (INST05082)



#### Roper Rhodes

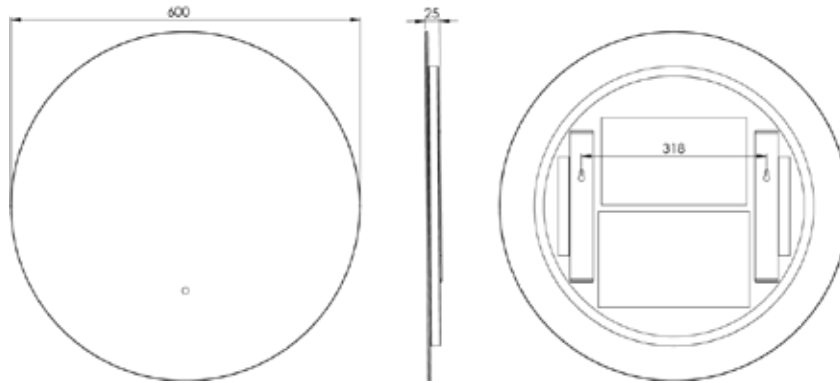
Brassmill Lane Trading Estate, Bath, BA1 3JF. Technical Support – Tel: 01225 303 900 Email: sales@roperrhodes.co.uk

All information on the data sheet is correct at the time of publication. All measurements are approximate and subject to standard tolerances.

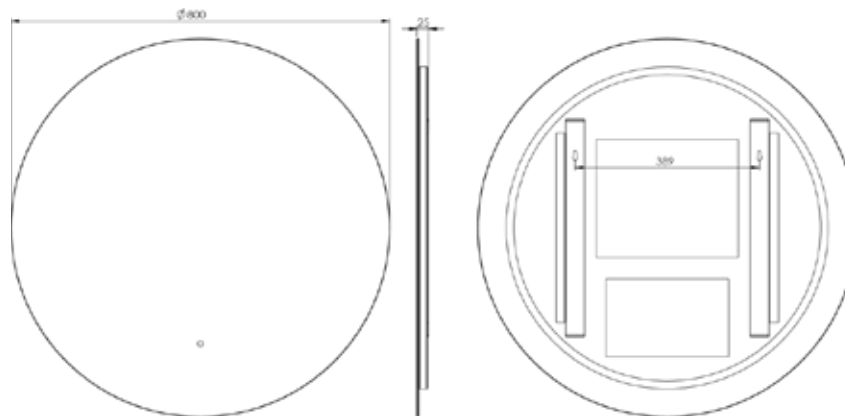
### Eske LED Illuminated Mirror

INST05080, INST05081, INST05082, INST05083, INST05084

#### Circular (INST05083)



#### Circular (INST05084)



### Eske LED Illuminated Mirror

INST05080, INST05081, INST05082, INST05083, INST05084

### FAQs

	INST05080 (Rectangular)	INST05081 (Rectangular)	INST05082 (Rectangular)	INST05083 (Circular)	INST05084 (Circular)
Can the mirror be hung landscape?	Yes	Yes	Yes	No	No
What is the thickness of the mirror glass?	5mm	5mm	5mm	5mm	5mm
Is the cabinet IP44 rated?	Yes – Suitable for use in bathroom zone 2				
What size fuse should I use?	Seek the advice of an electrician				
What is the total power consumption?	31.7W	34.4W	38.7W	21.8W	35.2W
Does the cabinet have an energy rating?	F	F	F	F	F
What is the colour of the light and the Kelvin rating?	3500-6500K	3500-6500K	3500-6500K	3500-6500K	3500-6500K
What is the Lumen of the LEDs?*	2880Lms	2790Lms	3375Lms	2070Lms	2970Lms
What is the wattage of the lights?	21W	20.3W	24.6W	15.1W	21.7W
Where is the IR sensor/rocker switch located?	Bottom centre	Bottom centre	Bottom right		
Where are the shaver socket and USB socket located?	Front centre bottom	Front centre bottom	Front centre bottom	Front centre bottom	Front centre bottom
Can the LED lighting be replaced?	No**	No**	No**	No**	No**
Can the IR sensor be replaced?	Yes	Yes	Yes	Yes	Yes
What is the output of the demister pad?	10.7W	14.1W	14.1W	6.75W	13.5W
What are the dimensions of the demister pad?	220(h) x 270(w) mm	270(h) x 290(w) mm	270(h) x 290(w) mm	250(h) x 150(w) mm	250(h) x 300(w) mm
How do I turn on the demister pad?	The demister pad will turn on when the LEDs are turned on				
Are illuminated cabinets supplied with mains cable?	All illuminated mirrors are supplied with a removeable 500mm mains cable. There is ample storage for excess cable in the back of the unit				

\*The Lumen represents the output of the LED. This may vary depending on the diffuser material i.e., glass or acrylic.

\*\*The LEDs are not replaceable to maintain the integrity of the product's resistance to moisture ingress.