

### Eske LED Illuminated Mirror

INST05080, INST05081, INST05082, INST05083, INST05084, INST050101



#### Key Features + Benefits

<b>5</b> Years Guarantee	<b>2</b> Years Guarantee Electrical Components	<b>IP44</b> Rated	<b>LED</b> Lighting	<b>CCT</b> Control Lighting	<b>IR</b> Infrared Controls
Heated Demister Pad		Portrait or Landscape Hanging			

#### Specification

	INST05080 (Rectangular)	INST05081 (Rectangular)	INST05082 (Rectangular)
Finish	-	-	-
Dimensions	800(h) x 400(w) x 26(d) mm	700(h) x 500(w) x 26(d) mm	800(h) x 600(w) x 26(d) mm
Weight	4kg	4.5kg	5kg
Lighting Type	LED	LED	LED
Colour Changing Technology (CCT)	Yes	Yes	Yes
Switch Location	Front	Front	Front
Surface/Recess Fitting	Surface	Surface	Surface
Carcass/Frame Construction Material	Aluminium	Aluminium	Aluminium
Glass Thickness	5mm	5mm	5mm
	INST05083 (Circular – Ø600mm)	INST05084 (Circular – Ø800mm)	INST050101 (Pebble)
Finish	-	-	-
Dimensions	600(diameter) x 26(d) mm	800(diameter) x 26(d) mm	730(h) x 710(w) x 25(d) mm
Weight	5kg	7kg	5.9kg
Lighting Type	LED	LED	LED
Colour Changing Technology (CCT)	Yes	Yes	Yes
Switch Location	Front	Front	Front
Surface/Recess Fitting	Surface	Surface	Surface
Carcass/Frame Construction Material	Aluminium	Aluminium	Aluminium
Glass Thickness	5mm	5mm	5mm

#### Features

Lighting	Colour changing (CCT) and dimming LED technology
Controls	Contactless IR sensor

#### FAQs

Please see following pages

#### Certifications + Accreditations

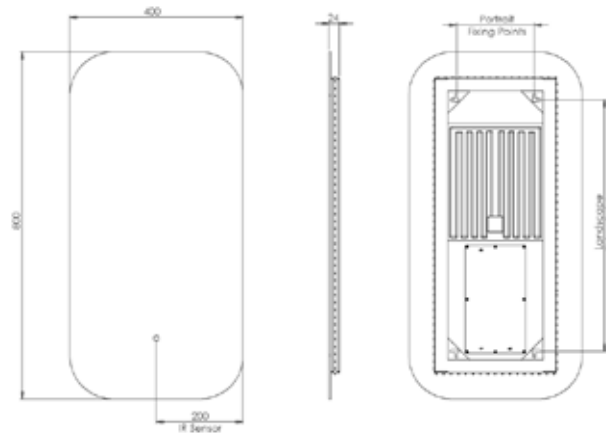
## Technical Data Sheet | Cabinets + Mirrors

www.instinctproducts.co.uk

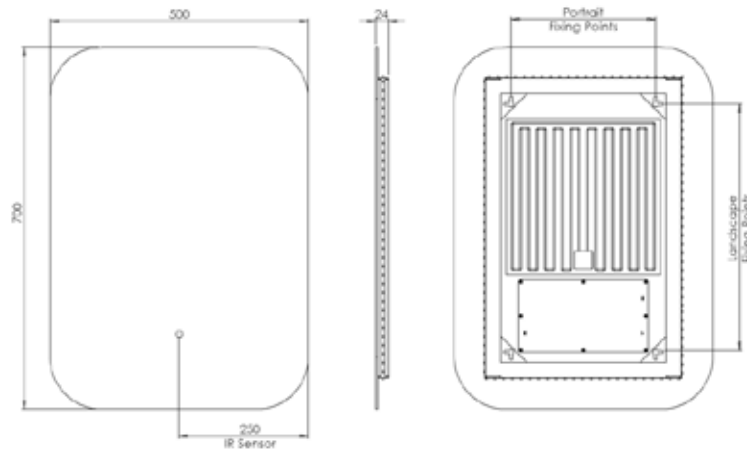
### Eske LED Illuminated Mirror

INST05080, INST05081, INST05082, INST05083, INST05084, INST050101

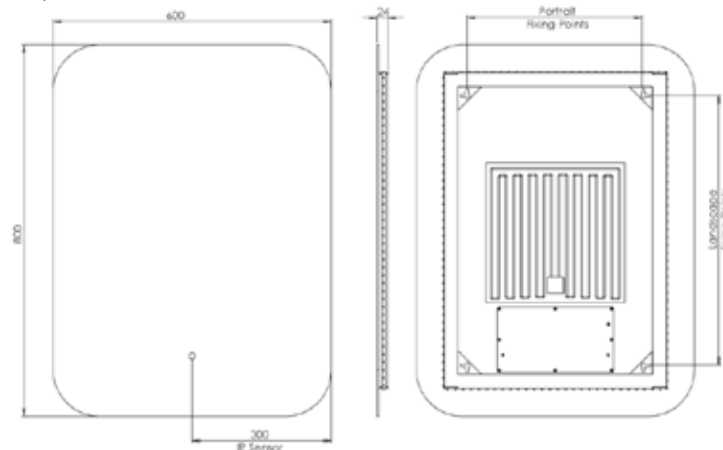
#### Rectangular – 800 x 400mm (INST05080)



#### Rectangular – 700 x 500mm (INST05081)



#### Rectangular – 800 x 600mm (INST05082)



#### Roper Rhodes

Brassmill Lane Trading Estate, Bath, BA1 3JF. Technical Support – Tel: 01225 303 900 Email: sales@roperrhodes.co.uk

All information on the data sheet is correct at the time of publication. All measurements are approximate and subject to standard tolerances.

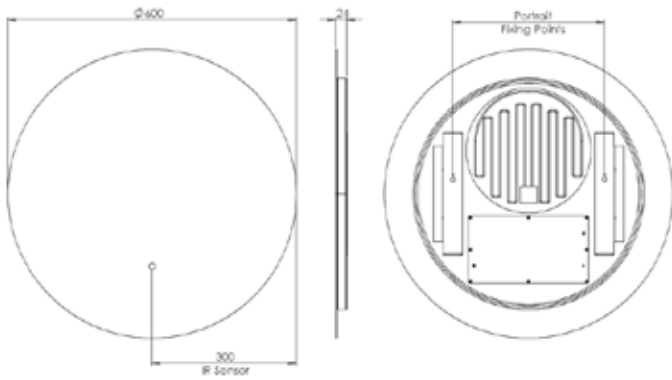
## Technical Data Sheet | Cabinets + Mirrors

www.instinctproducts.co.uk

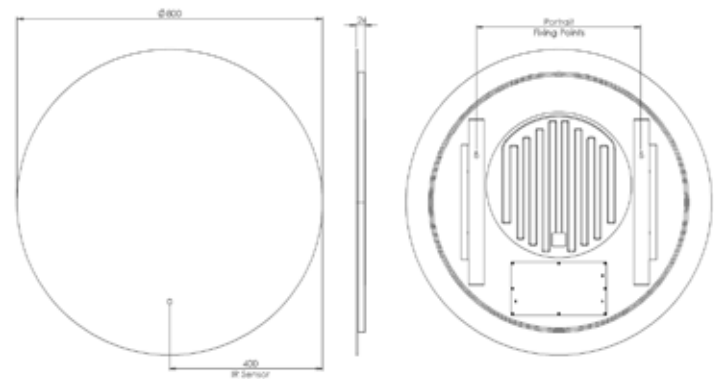
### Eske LED Illuminated Mirror

INST05080, INST05081, INST05082, INST05083, INST05084, INST050101

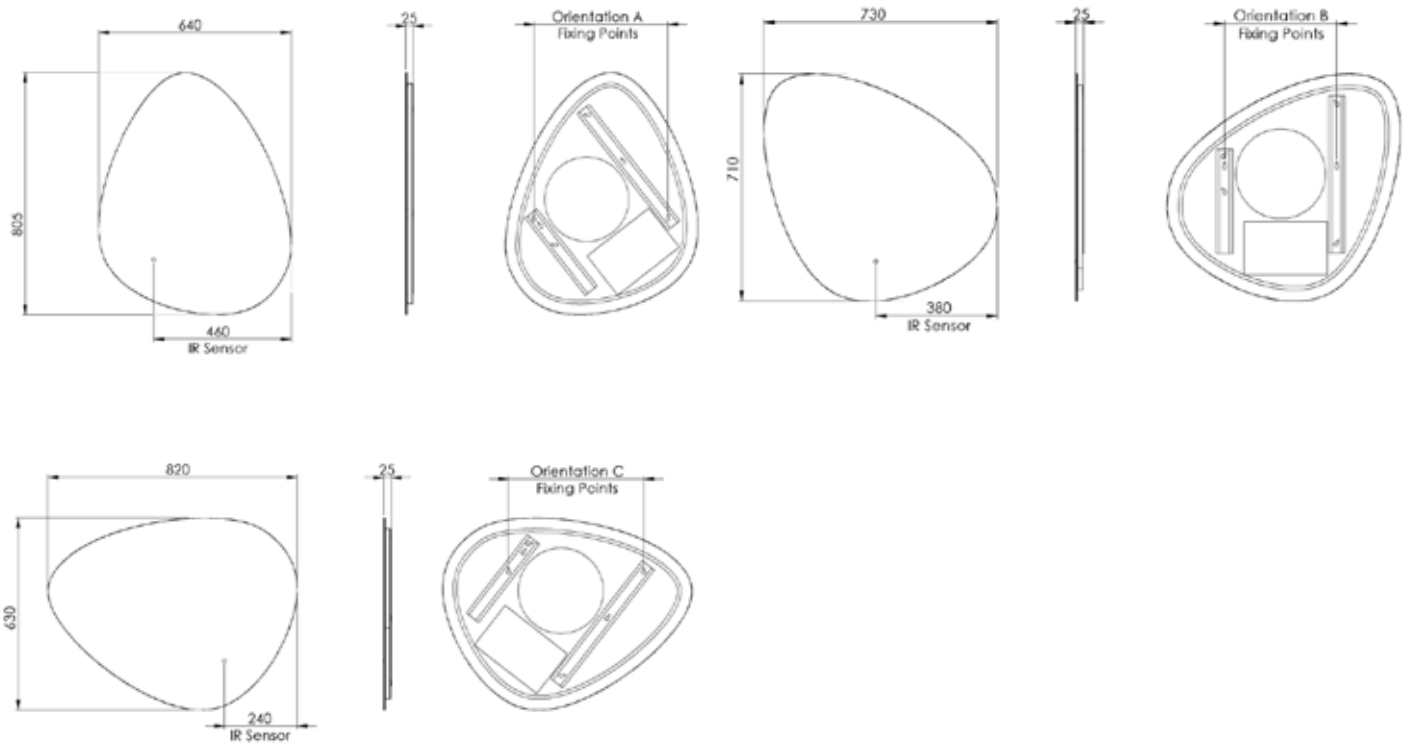
#### Circular – Ø600mm (INST05083)



#### Circular – Ø800mm (INST05084)



#### Pebble (INST050101)



#### Roper Rhodes

Brassmill Lane Trading Estate, Bath, BA1 3JF. Technical Support – Tel: 01225 303 900 Email: sales@roperrhodes.co.uk

All information on the data sheet is correct at the time of publication. All measurements are approximate and subject to standard tolerances.

## Technical Data Sheet | Cabinets + Mirrors

www.instinctproducts.co.uk

### Eske LED Illuminated Mirror

INST05080, INST05081, INST05082, INST05083, INST05084, INST050101

### FAQs

	INST05080 (Rectangular)	INST05081 (Rectangular)	INST05082 (Rectangular)	INST05083 (Circular)	INST05084 (Circular)	INST050101 (Pebble)
Can the mirror be hung landscape?	Yes	Yes	Yes	No	No	Yes
What is the thickness of the mirror glass?	5mm	5mm	5mm	5mm	5mm	5mm
Is the mirror IP44 rated?	Yes – Suitable for use in bathroom zone 2					
What size fuse should I use?	Seek the advice of an electrician					
Where is the IR sensor/rocker switch located?	Centre bottom	Centre bottom	Centre bottom	Centre bottom	Centre bottom	Centre bottom
Can the LED lighting be replaced?	No*	No*	No*	No*	No*	No*
Can the IR sensor be replaced?	Yes	Yes	Yes	Yes	Yes	Yes
How do I turn on the demister pad?	The demister pad will turn on when the LEDs are turned on					
Are illuminated cabinets supplied with mains cable?	All illuminated mirrors are supplied with a removeable 500mm mains cable. There is ample storage for excess cable in the back of the unit					

The Lumen represents the output of the LED. This may vary depending on the diffuser material i.e., glass or acrylic.

\*The LEDs are not replaceable to maintain the integrity of the product's resistance to moisture ingress.

### Electrical Specification

	INST05080 (Rectangular)	INST05081 (Rectangular)	INST05082 (Rectangular)	INST05083 (Circular)	INST05084 (Circular)	INST050101 (Pebble)
Input Voltage	220-240V 50Hz	220-240V 50Hz	220-240V 50Hz	220-240V 50Hz	220-240V 50Hz	220-240V 50Hz
Lamp Type	12V DC LED Lamp	24V DC LED Lamp	24V DC LED Lamp	12V DC LED Lamp	12V DC LED Lamp	12V DC LED Lamp
Total Wattage (LED + Demist)	34.1W	37.6W	41.8W	23.3W	38.2W	34.5W
Demist	13.1W	17.2W	17.2W	8.3W	16.5W	13.5W
Demist Size	200*270	270*290	270*290	250*150	250*300	φ280
LEDs	21W	20.3W	24.6W	15.1W	21.7W	21W
LED	2304lm	2232lm	2700lm	1656lm	2376lm	2304lm
Energy Rating	F	F	F	F	F	F
CCT	3000-6000K	3000-6000K	3000-6000K	3000-6000K	3000-6000K	3000-6000K
CRI	80	80	80	80	80	80
IP Rating	IP44	IP44	IP44	IP44	IP44	IP44
Electrical Class	Class II	Class II	Class II	Class II	Class II	Class II

The LED (lm) values represent the output of the LED. Actual product level Lumen output may vary depending on the diffuser material i.e., glass or acrylic.

### Roper Rhodes

Brassmill Lane Trading Estate, Bath, BA1 3JF. Technical Support – Tel: 01225 303 900 Email: sales@roperrhodes.co.uk

All information on the data sheet is correct at the time of publication. All measurements are approximate and subject to standard tolerances.