

### Eske Comfort Height Rimless Closed Back Close Coupled WC Suite INST02064, INST02058, INST02056



#### Cistern Specification

Close Coupled Dual Flush Cistern  
(INST02058)

Finish	White
Dimensions	395(h) x 370(w) x 149(d) mm
Weight	11.17kg
Cistern Fitting Manufacturer	R&T
Lever	Push button
Lever Position	Cistern lid
Inlet Position (When looking at WC)	Bottom right

#### Seat Specification

Quick Release (Lift Off), Soft Close, Wrap-Over,  
Seat + Cover  
(INST02056)

Finish	White
Dimensions	49(h) x 370(w) x 420(d) mm
Weight	2kg
Seat Hinge Material	Stainless Steel
Antibacterial Protection	No
Seat Type	Standard Wrap
UV Protection	-
Max Load Test	150kg
Seat Material	Thermoset

#### Pan Specification

Comfort Height Rimless Closed Back Close Coupled Pan  
(INST02064)

Finish	White
Dimensions	460(h) x 370(w) x 640(d) mm
Weight	33kg
Fixing Supplied	Yes
Fixing Exposed or Concealed	Concealed

#### Spares

Please see next page

#### FAQs

Please see next page

#### Key Features + Benefits

<b>10</b>	<b>5</b>	<b>2</b>							
Years Guarantee on Ceramics	Years Guarantee on Seats	Years Guarantee on Cistern Components	Closed Back WC Suite	Close Coupled WC Suite	Comfort Height Pan	Rimless Pan	5 Ltr 3 Ltr Dual Flush Volume	Air Gap Inlet Valve	Soft Close Seat

#### Certifications + Approvals

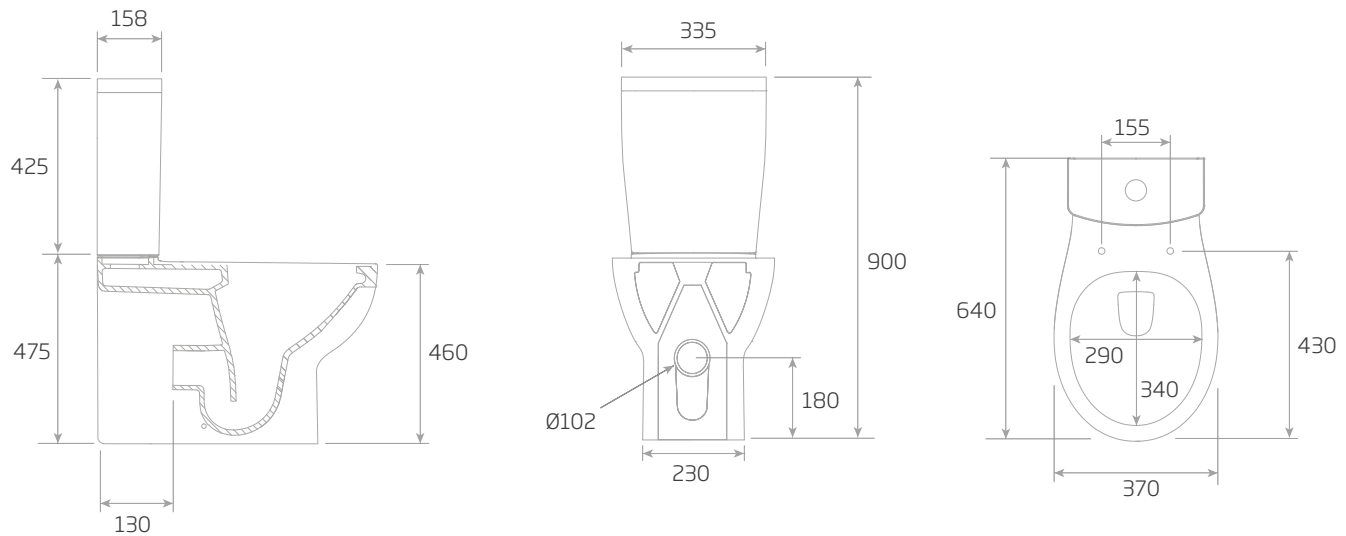
#### Roper Rhodes

Brassmill Lane Trading Estate, Bath, BA1 3JF. Technical Support – Tel: 01225 303 900 Email: sales@roperrhodes.co.uk

All information on the data sheet is correct at the time of publication. All measurements are approximate and subject to standard tolerances.

### Eske Comfort Height Rimless Closed Back Close Coupled WC Suite INST02064, INST02058, INST02056

#### Pan (INST02064) + Cistern (INST02058)

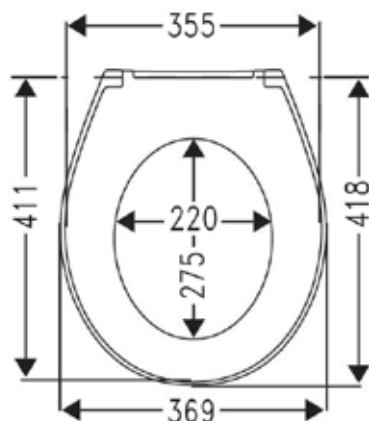


#### Extra Dimensions

Front to Back Footprint – 500mm  
Left to Right Footprint – 230mm  
Bowl Front to Back – 340mm  
Bowl Left to Right – 290mm  
Pan Height (+Cistern) – 460mm (900mm)  
Pan Overall Front to Back – 640mm

Centre Waste Outlet to Floor – 180mm  
Width of Void – 190mm  
Is there a Ceramic Brace Bar – No  
Distance from Spigot to back of Pan – 130mm

#### Seat (INST02056)



#### Extra Dimensions

Seat/Lid Front to Back – 418mm  
Seat/Lid Left to Right – 369mm  
Ring Hole Front to Back – 275mm  
Ring Hole Left to Right – 213mm  
Seat Overall Thickness – 49mm  
Width of Back of Seat – 363mm  
Min/Max Adjustment for Fixings – 110/230, 382/442mm

#### Spares

Floor Fixing Kit	SP14211
Flush Valve with Telescopic Overflow (A24232)	INST02043
Rubber Flap Seal (For A24232 Flush Valve)	SP19617
Air Gap Inlet Valve (Tall)	SP19528
Rubber Diaphragm (Air Gap Inlet Valve)	SP19616
Close Coupled Rubber Doughnut Washer	SP19540
Brass Tank Fixing Bolt Set (With M6*80mm Bolts)	SP19542
Chrome Flush Button (Ø48mm Hole)	SP19534
Black Flush Button (Ø48mm Hole)	INST02037
Brushed Brass Flush Button (Ø48mm Hole)	INST02045

#### Roper Rhodes

Brassmill Lane Trading Estate, Bath, BA1 3JF. Technical Support – Tel: 01225 303 900 Email: sales@roperrhodes.co.uk

All information on the data sheet is correct at the time of publication. All measurements are approximate and subject to standard tolerances.

### Eske Comfort Height Rimless Closed Back Close Coupled WC Suite INST02064, INST02058, INST02056

#### FAQs

**Q – Where is the inlet valve?**

A – Bottom inlet, back right of the pan.

**Q – What is the flush volume?**

A – 5/3L.

**Q – Is this pan rimless or box rim?**

A – Rimless.

**Q – What finish is the ceramic glaze?**

A – White.

**Q – What finish is the flush button supplied with the cistern?**

A – Chrome.

**Q – Can the flush button be upgraded to a different finish?**

A – Yes using INST02037 (black) or INST02045 (brushed brass).

**Q – Does it have an airgap?**

A – Yes.

**Q – Can this pan be used with a side connection outlet pipe?**

A – Yes.

**Q – What's the maximum test load of the seat?**

A – 150kg.

**Q – What are the fixings made from?**

A – Stainless Steel Cover Plates/Screws, Stainless Steel Anchor Plates, Rubber Washers, Rubber Fixing Plugs.