

### Eske Standard Height Short Projection Rimless Back To Wall Pan INST02062, INST02056



#### Seat Specification

Quick Release (Lift Off), Soft Close, Wrap-Over, Seat + Cover (INST02056)

Finish	White
Dimensions	49(h) x 370(w) x 420(d) mm
Weight	2kg
Seat Hinge Material	Stainless Steel
Antibacterial Protection	No
Seat Type	Standard Wrap
UV Protection	-
Max Load Test	150kg
Seat Material	Thermoset

#### Pan Specification

Standard Height Short Projection Rimless Back To Wall Pan (INST02062)

Finish	White
Dimensions	410(h) x 370(w) x 490(d) mm
Weight	21.8kg
Fixing Supplied	Yes
Fixing Exposed or Concealed	Concealed

#### Spares

Wall Hanging Fixings SP14211

#### FAQs

Please see next page

#### Key Features + Benefits

<b>10</b>	<b>5</b>					
Years Guarantee on Ceramics	Years Guarantee on Seats	Back To Wall Pan	Short Projection Pan	Rimless Pan	Quick Release Seat	Soft Close Seat

#### Certifications + Approvals

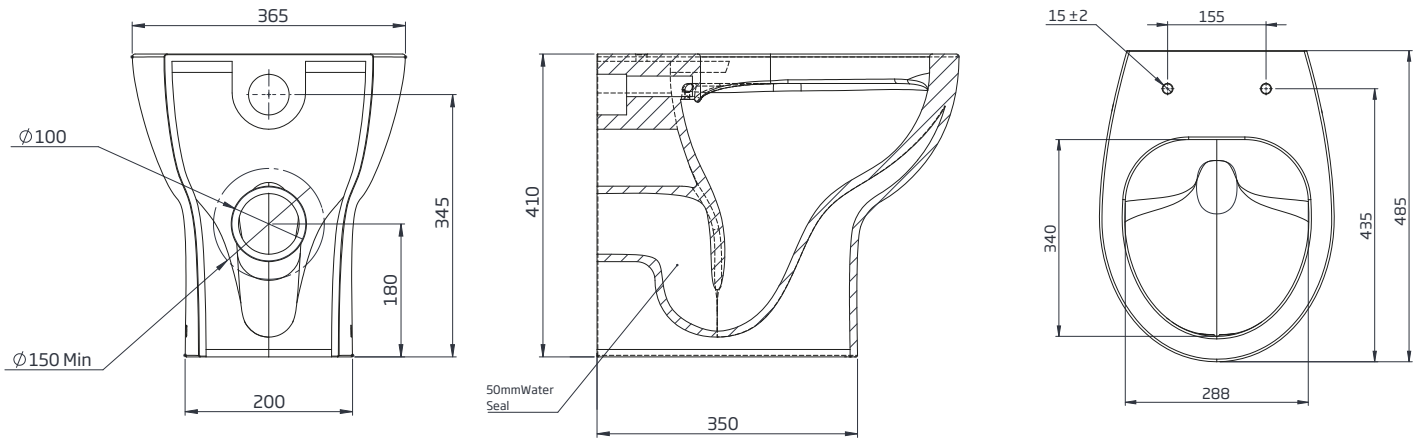
#### Roper Rhodes

Brassmill Lane Trading Estate, Bath, BA1 3JF. Technical Support – Tel: 01225 303 900 Email: sales@roperrhodes.co.uk

All information on the data sheet is correct at the time of publication. All measurements are approximate and subject to standard tolerances.

### Eske Standard Height Short Projection Rimless Back To Wall Pan INST02062, INST02056

#### Pan (INST02062)

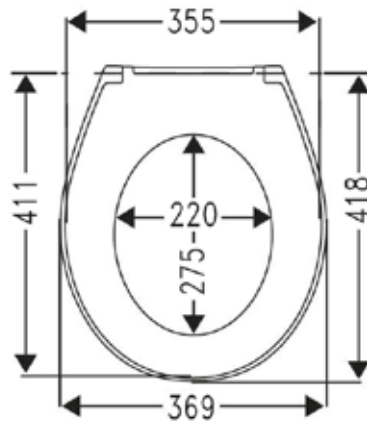


#### Extra Dimensions

Front to Back Footprint – 350mm  
Left to Right Footprint – 200mm  
Bowl Front to Back – 340mm  
Bowl Left to Right – 288mm  
Pan Height – 410mm

Pan Overall Front to Back – 485mm  
Centre Flush Inlet to Floor – 345mm  
Centre Waste Outlet to Floor – 180mm  
Width of Void – 180mm  
Is there a Ceramic Brace Bar – No

#### Seat (INST02056)



#### Extra Dimensions

Seat/Lid Front to Back – 418mm  
Seat/Lid Left to Right – 369mm  
Ring Hole Front to Back – 275mm  
Ring Hole Left to Right – 213mm  
Seat Overall Thickness – 49mm  
Width of Back of Seat – 363mm  
Min/Max Adjustment for Fixings – 110/230, 382/442mm

#### Roper Rhodes

Brassmill Lane Trading Estate, Bath, BA1 3JF. Technical Support – Tel: 01225 303 900 Email: sales@roperrhodes.co.uk

All information on the data sheet is correct at the time of publication. All measurements are approximate and subject to standard tolerances.

### Eske Standard Height Short Projection Rimless Back To Wall Pan INST02062, INST02056

#### FAQs

**Q – Which concealed cistern do I use?**

A – Bottom Entry (INST13001) or Side Entry (INST13002), depending on whether the water feed is bottom or side access.  
An In-Wall cistern (INST13009) is available for tiled-in installations.

**Q – Is this pan rimless or box rim?**

A – Rimless.

**Q – What finish is the ceramic glaze?**

A – White.

**Q – What's the maximum test load of the seat?**

A – 150kg.

**Q – What are the fixings made from?**

A – Stainless Steel Cover Plates/Screws, Nylon Anchor Plates, Rubber Washers, Rubber Fixing Plugs.