

Eske Comfort Height Short Projection Rimless Back To Wall Pan INST02061, INST02056



Seat Specification

Quick Release (Lift Off), Soft Close, Wrap-Over, Seat + Cover (INST02056)

Finish	White
Dimensions	49(h) x 370(w) x 420(d) mm
Weight	2kg
Seat Hinge Material	Stainless Steel
Antibacterial Protection	No
Seat Type	Standard Wrap
UV Protection	-
Max Load Test	150kg
Seat Material	Thermoset

Pan Specification

Comfort Height Short Projection Rimless Back To Wall Pan (INST02061)

Finish	White
Dimensions	460(h) x 370(w) x 490(d) mm
Weight	24kg
Fixing Supplied	Yes
Fixing Exposed or Concealed	Concealed

Spares

Wall Hanging Fixings SP14211

FAQs

Please see next page

Key Features + Benefits

10	5						
Years Guarantee on Ceramics	Years Guarantee on Seats	Back To Wall Pan	Comfort Height Pan	Short Projection Pan	Rimless Pan	Quick Release Seat	Soft Close Seat

Certifications + Approvals

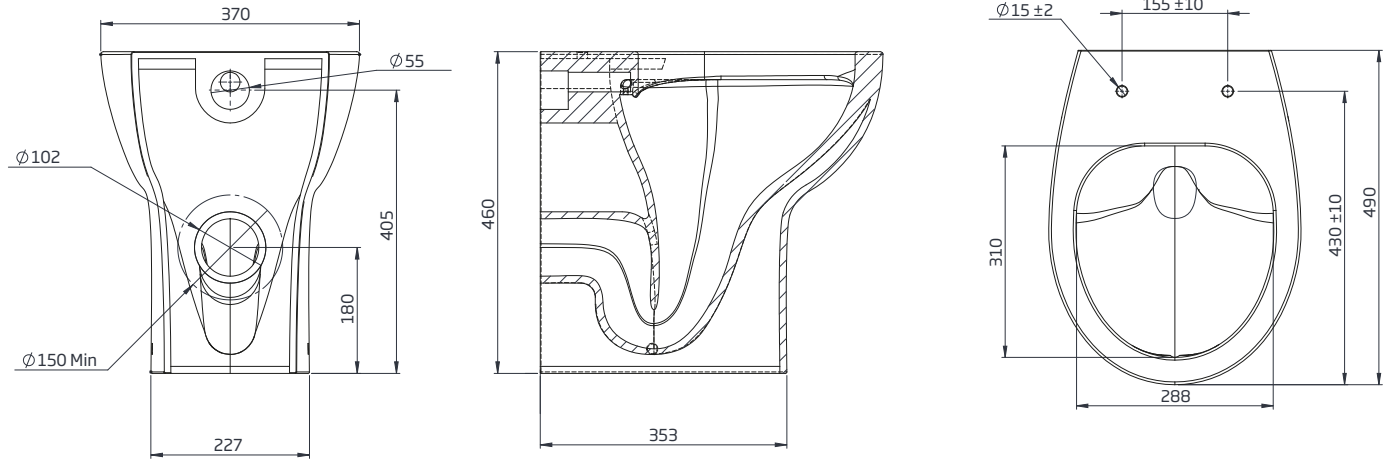
Roper Rhodes

Brassmill Lane Trading Estate, Bath, BA1 3JF. Technical Support – Tel: 01225 303 900 Email: sales@roperrhodes.co.uk

All information on the data sheet is correct at the time of publication. All measurements are approximate and subject to standard tolerances.

Eske Comfort Height Short Projection Rimless Back To Wall Pan INST02061, INST02056

Pan (INST02061)

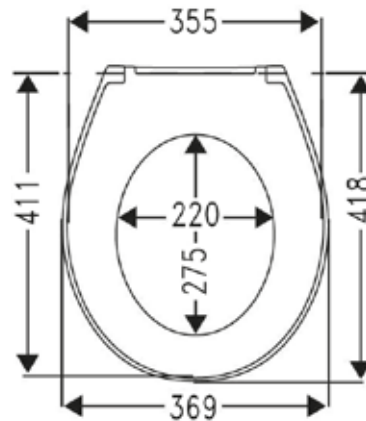


Extra Dimensions

Front to Back Footprint – 353mm
Left to Right Footprint – 227mm
Bowl Front to Back – 310mm
Bowl Left to Right – 288mm
Pan Height – 340mm

Pan Overall Front to Back – 490mm
Centre Flush Inlet to Floor – 405mm
Centre Waste Outlet to Floor – 180mm
Width of Void – 180mm
Is there a Ceramic Brace Bar – No

Seat (INST02056)



Extra Dimensions

Seat/Lid Front to Back – 418mm
Seat/Lid Left to Right – 369mm
Ring Hole Front to Back – 275mm
Ring Hole Left to Right – 213mm
Seat Overall Thickness – 49mm
Width of Back of Seat – 363mm
Min/Max Adjustment for Fixings – 110/230, 382/442mm

Roper Rhodes

Brassmill Lane Trading Estate, Bath, BA1 3JF. Technical Support – Tel: 01225 303 900 Email: sales@roperrhodes.co.uk

All information on the data sheet is correct at the time of publication. All measurements are approximate and subject to standard tolerances.

Eske Comfort Height Short Projection Rimless Back To Wall Pan INST02061, INST02056

FAQs

Q – Which concealed cistern do I use?

A – Comfort Cistern (INST13008).

Q – Is this pan rimless or box rim?

A – Rimless.

Q – What finish is the ceramic glaze?

A – White.

Q – What's the maximum test load of the seat?

A – 150kg.

Q – What are the fixings made from?

A – Stainless Steel Cover Plates/Screws, Nylon Anchor Plates, Rubber Washers, Rubber Fixing Plugs.