

Eske Standard Height Rimless Open Back Close Coupled WC Suite INST02060, INST02058, INST02056



Cistern Specification

Close Coupled Dual Flush Cistern
(INST02058)

Finish	White
Dimensions	395(h) x 370(w) x 149(d) mm
Weight	11.17kg
Cistern Fitting Manufacturer	R&T
Lever	Push button
Lever Position	Cistern lid
Inlet Position (When looking at WC)	Bottom right

Seat Specification

Quick Release (Lift Off), Soft Close, Wrap-Over,
Seat + Cover
(INST02056)

Finish	White
Dimensions	49(h) x 370(w) x 420(d) mm
Weight	2kg
Seat Hinge Material	Stainless Steel
Antibacterial Protection	No
Seat Type	Standard Wrap
UV Protection	-
Max Load Test	150kg
Seat Material	Thermoset

Pan Specification

Standard Height Rimless Open Back Close Coupled Pan
(INST02060)

Finish	White
Dimensions	410(h) x 370(w) x 640(d) mm
Weight	24.7kg
Fixing Supplied	Yes
Fixing Exposed or Concealed	Concealed


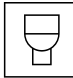
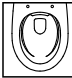



Spares

Please see next page

FAQs

Please see next page

Key Features + Benefits

10 Years Guarantee on Ceramics	5 Years Guarantee on Seats	2 Years Guarantee on Cistern Components	 Open Back WC Suite	 Close Coupled WC Suite	 Rimless Pan	 5 Ltr 3 Ltr Dual Flush Volume	 Air Gap Inlet Valve	 Soft Close Seat
---	---	--	--	--	---	---	---	---

Certifications + Approvals

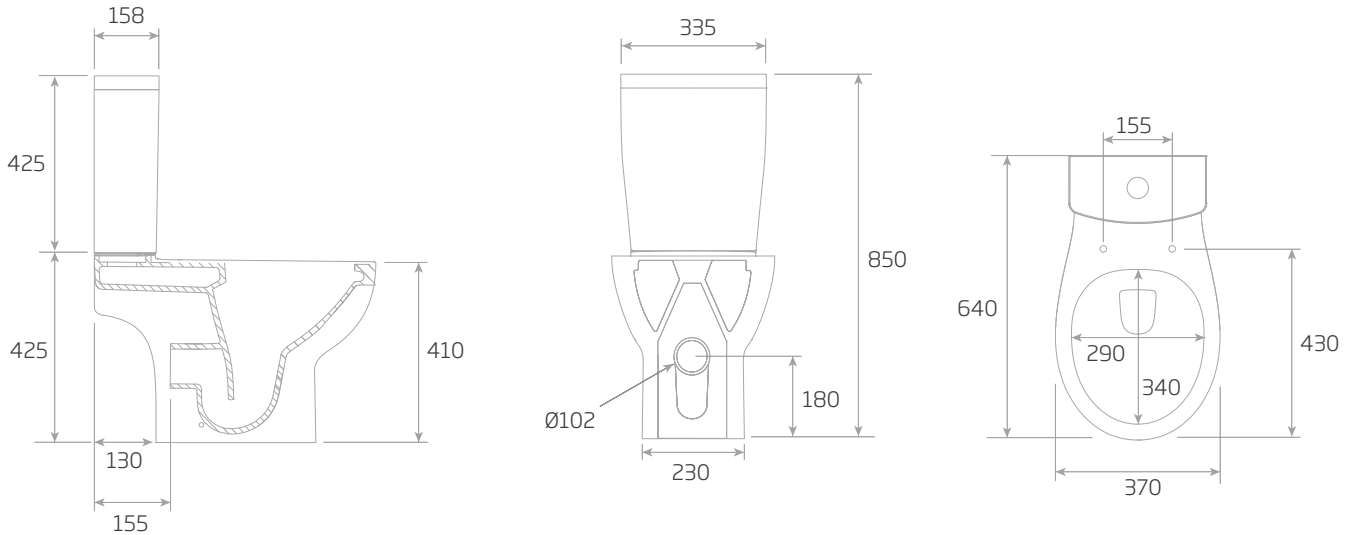
Roper Rhodes

Brassmill Lane Trading Estate, Bath, BA1 3JF. Technical Support – Tel: 01225 303 900 Email: sales@roperrhodes.co.uk

All information on the data sheet is correct at the time of publication. All measurements are approximate and subject to standard tolerances.

Eske Standard Height Rimless Open Back Close Coupled WC Suite INST02060, INST02058, INST02056

Pan (INST02060) + Cistern (INST02058)

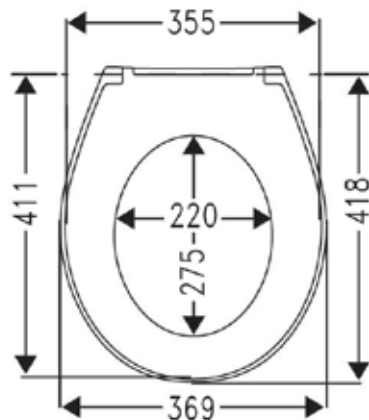


Extra Dimensions

Front to Back Footprint – 380mm/502mm from wall
 Left to Right Footprint – 232mm
 Bowl Front to Back – 339mm
 Bowl Left to Right – 288mm
 Pan Height (+Cistern) – 410mm (850mm)
 Pan Overall Front to Back – 640mm

Centre Waste Outlet to Floor – 180mm
 Width of Void – 155mm
 Is there a Ceramic Brace Bar – No
 Distance from Spigot to back of Pan – 155mm

Seat (INST02056)



Extra Dimensions

Seat/Lid Front to Back – 418mm
 Seat/Lid Left to Right – 369mm
 Ring Hole Front to Back – 275mm
 Ring Hole Left to Right – 213mm
 Seat Overall Thickness – 49mm
 Width of Back of Seat – 363mm
 Min/Max Adjustment for Fixings – 110/230, 382/442mm

Spares

Floor Fixing Kit	SP14211
Flush Valve with Telescopic Overflow (A24232)	INST02043
Rubber Flap Seal (For A24232 Flush Valve)	SP19617
Air Gap Inlet Valve (Tall)	SP19528
Rubber Diaphragm (Air Gap Inlet Valve)	SP19616
Close Coupled Rubber Doughnut Washer	SP19540
Brass Tank Fixing Bolt Set (With M6*80mm Bolts)	SP19542
Chrome Flush Button (Ø48mm Hole)	SP19534
Black Flush Button (Ø48mm Hole)	INST02037
Brushed Brass Flush Button (Ø48mm Hole)	INST02045

Roper Rhodes

Brassmill Lane Trading Estate, Bath, BA1 3JF. Technical Support – Tel: 01225 303 900 Email: sales@roperrhodes.co.uk

All information on the data sheet is correct at the time of publication. All measurements are approximate and subject to standard tolerances.

Eske Standard Height Rimless Open Back Close Coupled WC Suite INST02060, INST02058, INST02056

FAQs

Q – Where is the inlet valve?

A – Bottom inlet, back right of the pan.

Q – What is the flush volume?

A – 5/3L.

Q – Is this pan rimless or box rim?

A – Rimless.

Q – What finish is the ceramic glaze?

A – White.

Q – What finish is the flush button supplied with the cistern?

A – Chrome.

Q – Can the flush button be upgraded to a different finish?

A – Yes using INST02037 (black) or INST02045 (brushed brass).

Q – Does it have an airgap?

A – Yes.

Q – Can this pan be used with a side connection outlet pipe?

A – Yes.

Q – What's the maximum test load of the seat?

A – 150kg.

Q – What are the fixings made from?

A – Stainless Steel Cover Plates/Screws, Stainless Steel Anchor Plates, Rubber Washers, Rubber Fixing Plugs.