

### Emulate Aluminium Cabinet INST06029, INST06030



#### Specification

	INST06029 (Single Door)	INST06030 (Double Door)
Finish	Aluminium with dark grey timber internals, mirrored sides	Aluminium with dark grey timber internals, mirrored sides
Dimensions	650(h) x 450(w) x 140(d) mm	650(h) x 600(w) x 140(d) mm
Weight	12.4kg	15.3kg
Lighting Type	-	-
Colour Changing Technology (CCT)	-	-
Switch Location	-	-
Surface/Recess Fitting	Surface	Surface
Carcass/Frame Construction Material	MFC	MFC
Carcass/Frame Finish	Mirror	Mirror
Number of Internal Shelves	Two	Two
Shelves (Fixed/Adjustable)	Adjustable	Adjustable
Door Hinge Handing	Right hand	-
Glass Thickness	6mm	6mm

#### Features

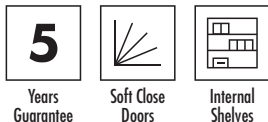
Doors	Double sided mirror doors. Single door cabinet right hand hinged.
-------	--

#### FAQs

Please see following pages



#### Key Features + Benefits



#### Certifications + Accreditations

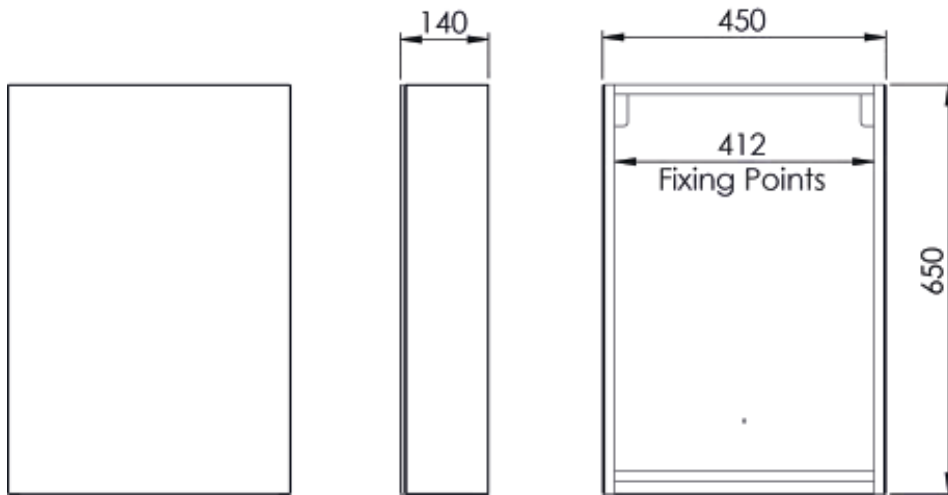
#### Roper Rhodes

Brassmill Lane Trading Estate, Bath, BA1 3JF. Technical Support – Tel: 01225 303 900 Email: sales@roperrhodes.co.uk

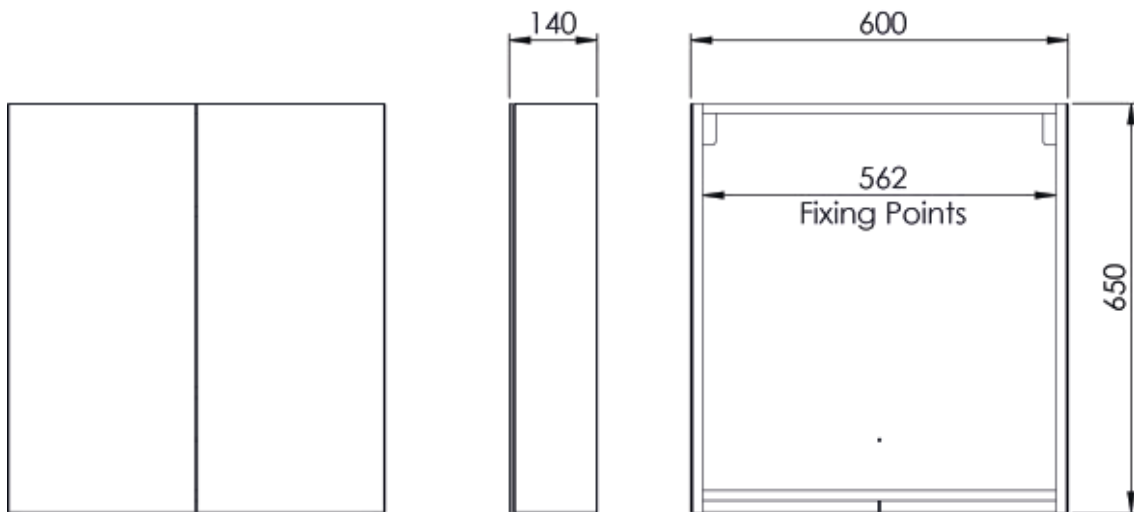
All information on the data sheet is correct at the time of publication. All measurements are approximate and subject to standard tolerances.

### Emulate Aluminium Cabinet INST06029, INST06030

#### Single Door (INST06029)



#### Double Door (INST06030)



### Emulate Aluminium Cabinet INST06029, INST06030

#### FAQs

	INST06029 (Single Door)	INST06030 (Double Door)
Internal Dimensions	450(h) x 600(w) x 84.5(d) mm	600(h) x 600(w) x 84.5(d) mm
Shelf dimensions	440(h) x 80(w) x 5(d) mm	590(h) x 80(w) x 5(d) mm
Max shelf spacing	550mm	550mm
Distance between door hinges	450mm	450mm
Individual door dimensions	448(h) x 710(w) x 6(d) mm	297(h) x 710(w) x 6(d) mm
Max door opening angle	95°	95°
Max depth with door open	566mm	415mm
Hanging bracket centres	438mm	588mm
What is the thickness of the mirror glass?	3mm	3mm
Is the cabinet IP44 rated?	-	-
What size fuse should I use?	-	-
What is the total power consumption?	-	-
Does the cabinet have an energy rating?	-	-
What is the colour of the light and the Kelvin rating?	-	-
What is the Lumen of the LEDs?*	-	-
What is the wattage of the lights?	-	-
Where is the IR sensor/rocker switch located?	-	-
Where is the shaver socket located?	-	-
Can the LED lighting be replaced?	-	-
Can the IR sensor/rocker switch be repositioned?	-	-
What is the output of the demister pad?	-	-
What are the dimensions of the demister pad?	-	-
How do I turn on the demister pad?	-	-
Are illuminated cabinets supplied with mains cable?	-	-

\*The Lumen represents the output of the LED. This may vary depending on the diffuser material i.e., glass or acrylic.