

### Elion LED Illuminated Mirror

INST05029, INST05030, INST05031, INST05035, INST05036



#### Specification

	INST05029 (Circular)	INST05030 (Circular)	INST05031 (Circular)
Finish	White	White	White
Dimensions	550(diameter) mm	650(h) x 490(w) x 35(d) mm	800(h) x 500(w) x 35(d) mm
Weight	4.4kg	4.1kg	5.6kg
Lighting Type	LED	LED	LED
Colour Changing Technology (CCT)	Yes	Yes	Yes
Switch Location	Front	Front	Front
Surface/Recess Fitting	Surface	Surface	Surface
Carcass/Frame Construction Material	Aluminium	Aluminium	Aluminium
Glass Thickness	5mm	5mm	5mm

	INST05035 (Rectangular)	INST05036 (Rectangular)
Finish	White	White
Dimensions	700(h) x 500(w) x 35(d) mm	800(h) x 600(w) x 35(d) mm
Weight	3.7kg	4kg
Lighting Type	LED	LED
Colour Changing Technology (CCT)	Yes	Yes
Switch Location	Front	Front
Surface/Recess Fitting	Surface	Surface
Carcass/Frame Construction Material	Aluminium	Aluminium
Glass Thickness	5mm	5mm



#### Features

Lighting	Colour changing (CCT) and dimming LED technology
Controls	Contactless IR sensor

#### FAQs

Please see following pages

#### Key Features + Benefits

<b>5</b> Years Guarantee	<b>2</b> Years Guarantee Electrical Components	<b>IP44</b> Rated	<b>LED</b> LED Lighting	<b>CCT</b> CCT Control Lighting	<b>IR</b> Infrared Controls
					
Heated Demister Pad	Multiple Shaped Options				

#### Certifications + Accreditations

#### Roper Rhodes

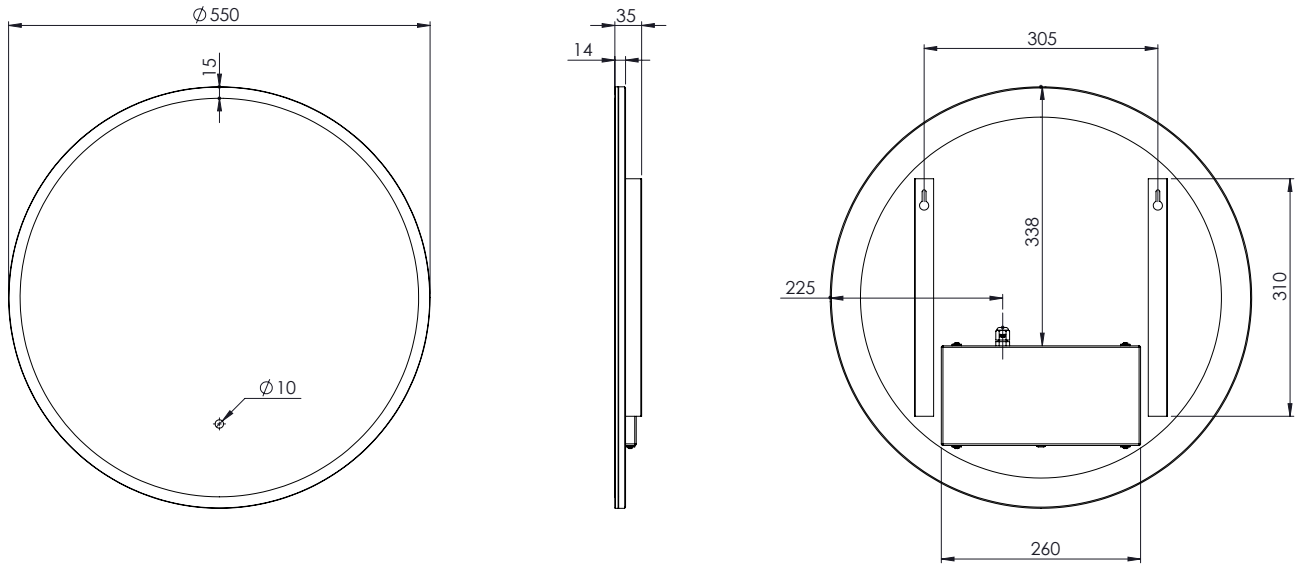
Brassmill Lane Trading Estate, Bath, BA1 3JF. Technical Support – Tel: 01225 303 900 Email: sales@roperrhodes.co.uk

All information on the data sheet is correct at the time of publication. All measurements are approximate and subject to standard tolerances.

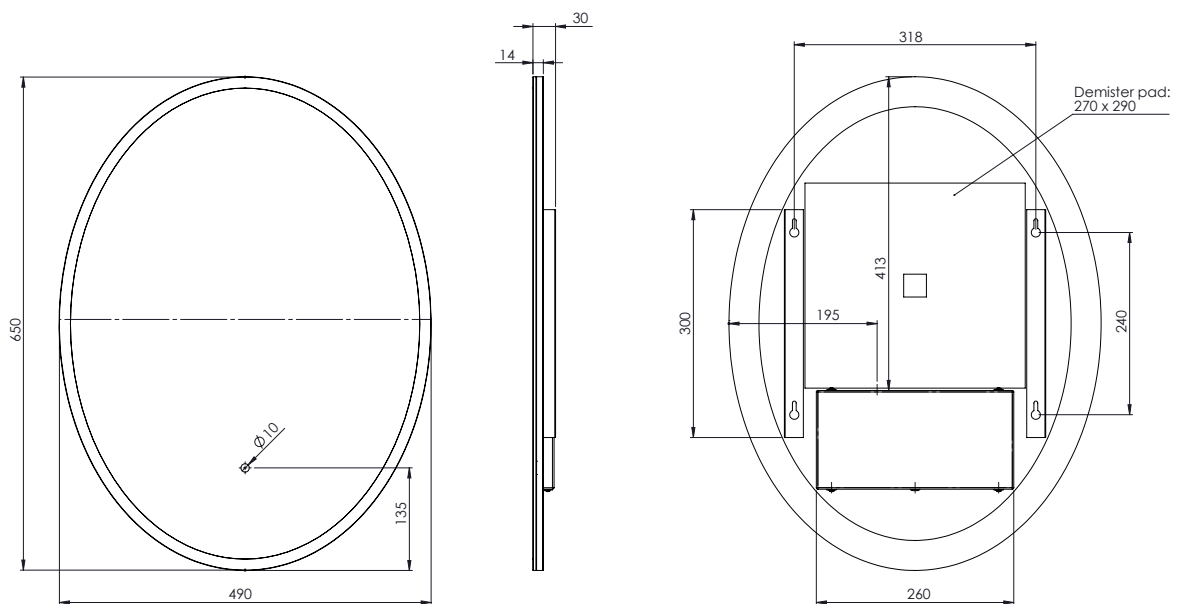
### Elion LED Illuminated Mirror

INST05029, INST05030, INST05031, INST05035, INST05036

#### Circular (INST05029)



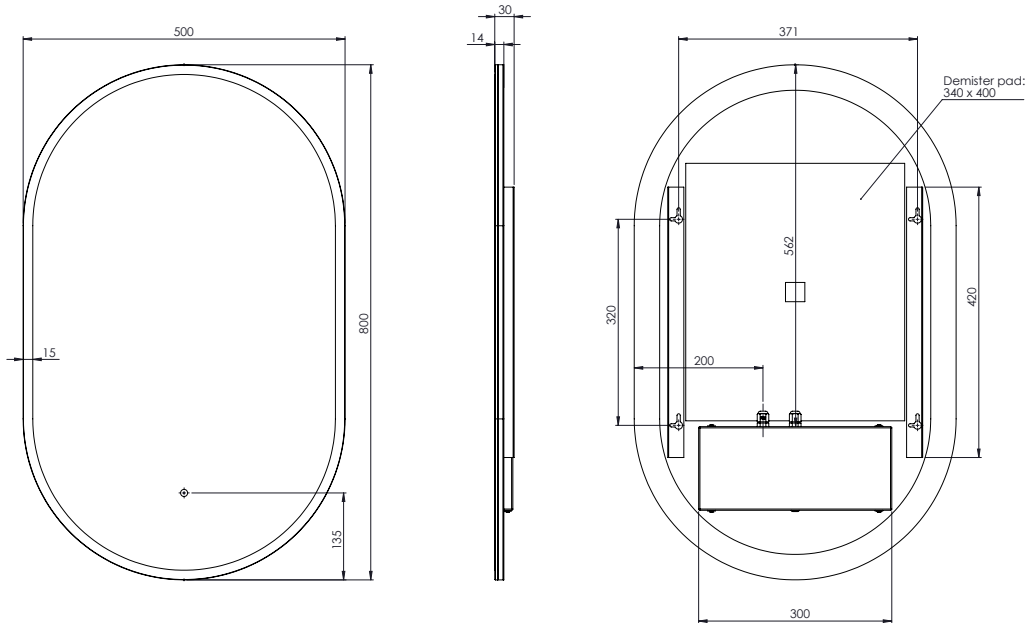
#### Circular (INST05030)



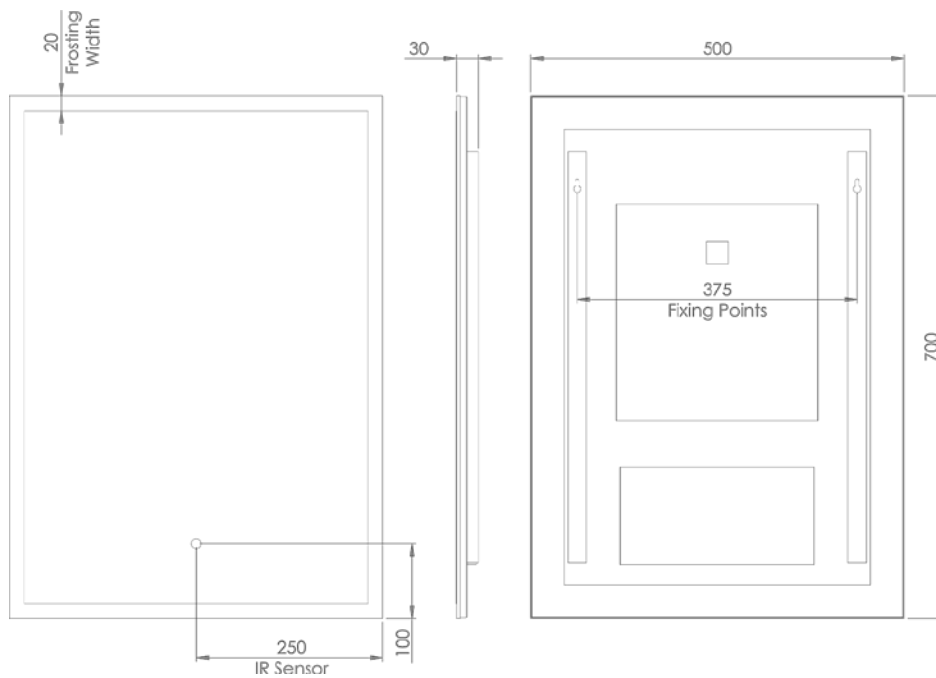
### Elion LED Illuminated Mirror

INST05029, INST05030, INST05031, INST05035, INST05036

#### Circular (INST05031)



#### Rectangular (INST05035)



#### Roper Rhodes

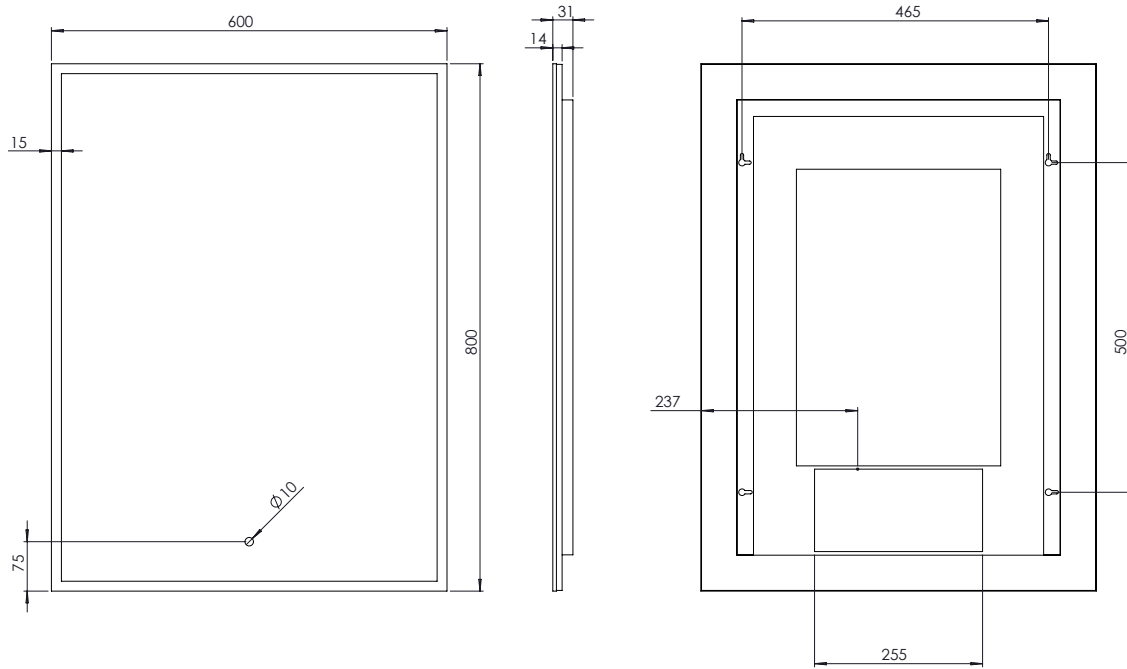
Brassmill Lane Trading Estate, Bath, BA1 3JF. Technical Support – Tel: 01225 303 900 Email: sales@roperrhodes.co.uk

All information on the data sheet is correct at the time of publication. All measurements are approximate and subject to standard tolerances.

### Elion LED Illuminated Mirror

INST05029, INST05030, INST05031, INST05035, INST05036

#### Rectangular (INST05036)



### Elion LED Illuminated Mirror

INST05029, INST05030, INST05031, INST05035, INST05036

### FAQs

	INST05029 (Circular)	INST05030 (Circular)	INST05031 (Circular)	INST05035 (Rectangular)	INST05036 (Rectangular)
Can the mirror be hung landscape?	No	Yes	No	Yes	No
What is the thickness of the mirror glass?	5mm	5mm	5mm	5mm	5mm
Is the cabinet IP44 rated?	Yes – Suitable for use in bathroom zone 2				
What size fuse should I use?	Seek the advice of an electrician				
What is the total power consumption?	29W	34W	48W	52W	61W
Does the cabinet have an energy rating?	A	A	A	A	A
What is the colour of the light and the Kelvin rating?	2700-6500K	2700-6500K	2700-6500K	2700-6500K	2700-6500K
What is the Lumen of the LEDs?*	–	–	–	–	–
What is the wattage of the lights?	15.5W	16W	22W	20W	26W
Where is the IR sensor/rocker switch located?	Centre front middle	Centre front middle	Centre front middle	Centre front middle	Centre front middle
Can the LED lighting be replaced?	No**	No**	No**	No**	No**
Can the IR sensor be replaced?	Yes	Yes	Yes	Yes	Yes
What is the output of the demister pad?	15W	19.6W	26W	34W	35W
What are the dimensions of the demister pad?	200(h) x 300(w) mm	270(h) x 290(w) mm	230(h) x 450(w) mm	340(h) x 400(w) mm	310(h) x 450(w) mm
How do I turn on the demister pad?	The demister pad will turn on when the LEDs are turned on				
Are illuminated cabinets supplied with mains cable?	All illuminated mirrors are supplied with a removeable 500mm mains cable. There is ample storage for excess cable in the back of the unit				

\*The Lumen represents the output of the LED. This may vary depending on the diffuser material i.e., glass or acrylic.

\*\*The LEDs are not replaceable to maintain the integrity of the product's resistance to moisture ingress.