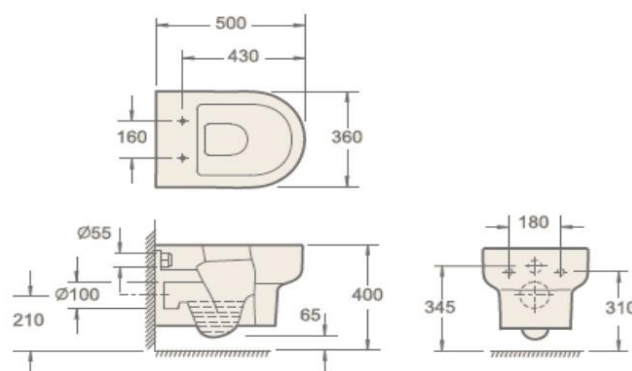


Product Code	INSEL013
---------------------	----------

Instinct - INSEL013 Elion Wall Hung Pan in White (500 x 360 x 335)

Category:	Toilets	Weight	22.50 KG	Range	Elion
Guarantee:	Sanitaryware		25 Years	Instinct Code	INSEL013
	Cistern Fittings		3 Years	Colour:	White
	Seats		1 Year	EAN CODE	5056143410645



Dimensions are in Millimetres except thread sizes which are BSP imperial

Features:

- 4 Seat Options Available
- Easy to Clean Glaze
- Includes Fittings

Approvals:



British Standard
CE Approval

YES

Approved

Notes

Our guarantee is subject to the product having been installed, used and maintained in accordance with our instructions. All working parts (such as hinges, ceramic disks, cartridges, seals and cistern fittings), are covered for 36 months from proof of purchase date. This excludes seats, which are subject to normal wear and tear, which are covered for 12 months. Our guarantee applies to the original purchaser and is non-transferable. Our guarantee is only applicable in the UK and ROI. This does not affect your statutory rights.

We recommend that a pressure reducing valve is fitted in installations where the water supply pressure exceeds 3 bar.

Pressure in excess of 3 bar could reduce the working life of this product and invalidate the guarantee.

Information is provided for guidance only and is non-binding. All measurements are approximate and subject to standard tolerances. We reserve the right to change product specifications without prior notification.

This data sheet was published on 20th November 2017.