

Diode Thermoset D-Shaped, Square Edge, Soft Close, Seat & Cover INST03014-SF



Specification

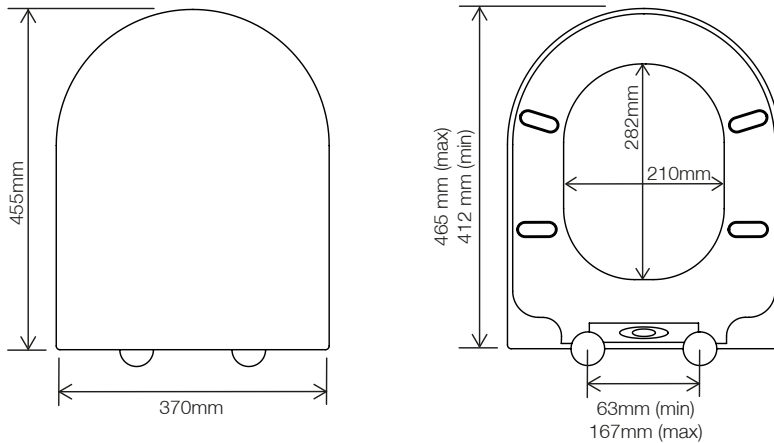
Finish	White
Dimensions	44(h) x 370(w) x 455(d) mm
Weight	1.9kg
Seat Hinge Material	Reinforced nylon base plates with stainless steel cover caps
Hinge Type	Soft close
Hinge Fixing Type	Quick release, Top Fix and Underfix, Secure-Fix QR
Antibacterial Protection	No
Seat Type	Wrap Over
UV Protection	-
Max Load Test	150kg
Seat Material	Thermoset

Spares

Secure Fix Hinge Fixing Pack	SP19730
White Buffers (2 x Lid)	SP14946
White Buffers (4 x Seat)	SP14945
Grey Buffers (2 x Lid and 4 x Seat)	SP19735

FAQs

Please see next page



Extra Dimensions

Seat/Lid Front to Back – 455mm
 Seat/Lid Left to Right – 370mm
 Ring Hole Front to Back – 282mm
 Ring Hole Left to Right – 210mm
 Seat Overall Thickness – 48mm

Key Features + Benefits

5
Years
Guarantee

Quick
Release

Top Fix
Hinges

Soft Close
Seat

Certifications + Approvals

Roper Rhodes

Brassmill Lane Trading Estate, Bath, BA1 3JF. Technical Support – Tel: 01225 303 900 Email: sales@roperrhodes.co.uk

All information on the data sheet is correct at the time of publication. All measurements are approximate and subject to standard tolerances.

Technical Data Sheet | Toilet Seats

www.instinctproducts.co.uk

Diode Thermoset D-Shaped, Square Edge, Soft Close, Seat & Cover INST03014-SF

FAQs

Q – What's the maximum test load of the seat?

A – 150kg.

Q – What are the fixings made from?

A – Stainless Steel Cover Plates/Screws, Nylon Anchor Plates, Rubber Washers, Rubber Fixing Plugs.