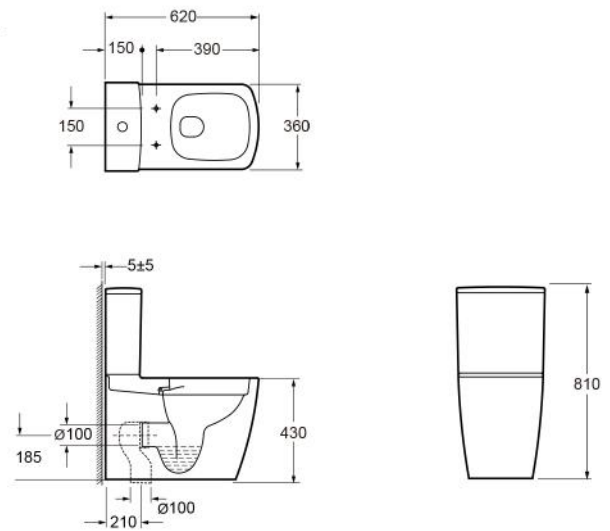


TECHNICAL DATA SHEET

**DENE RIMLESS COMFORT HEIGHT CLOSED BACK CLOSE COUPLED WC PAN**

Category:	Closed back close coupled pan	Weight:	36.5kg	Range:	Dene
Guarantee:	25 years manufacturing	Instinct Code:	INSDN001R	EAN Code:	5060737383895



Dimensions are in millimetres except thread sizes which are BSP imperial.

**Features**

- CE Approved
- Ceramic composition ensures a clean design and finish

**Notes**

Our guarantee is subject to the product having been installed, used and maintained in accordance with our instructions. All working parts (such as hinges, ceramic disks, cartridges and cistern fittings), which are subject to normal wear and tear, are covered for 36 months from proof of purchase date. This excludes seats and bath seals, which are covered for 12 months. Our guarantee applies to the original purchaser and is nontransferable. Our guarantee is only applicable in the UK and ROI. This does not affect your statutory rights.

Information is provided for guidance only and is non-binding. All measurements are approximate and subject to standard tolerances. We reserve the right to change product specifications without prior notification.