

Dene Short Projection Rimless Wall Hung Pan INSDN001HRB, INSDN004B



Seat Specification

Duraplast Soft Close Quick Release Wrap-Over
Slim Seat + Cover
(INSDN004B)

Finish	Black
Dimensions	28(h) x 360(w) x 415(d) mm
Weight	3.11 kg
Seat Hinge Material	Metal / Plastic
Antibacterial Protection	Yes
Seat Type	Wrap-Over
UV Protection	Yes
Max Load Test	150kg
Seat Material	Duraplast

Pan Specification

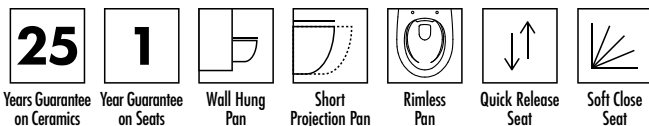
Short Projection Rimless Wall Hung Pan
(INSDN001HRB)

Finish	Black
Dimensions	420(h) x 360(w) x 500(d) mm
Weight	24.5kg
Fixing Supplied	Yes
Fixing Exposed or Concealed	Concealed

FAQs

Please see next page

Key Features + Benefits



Imex Ceramics

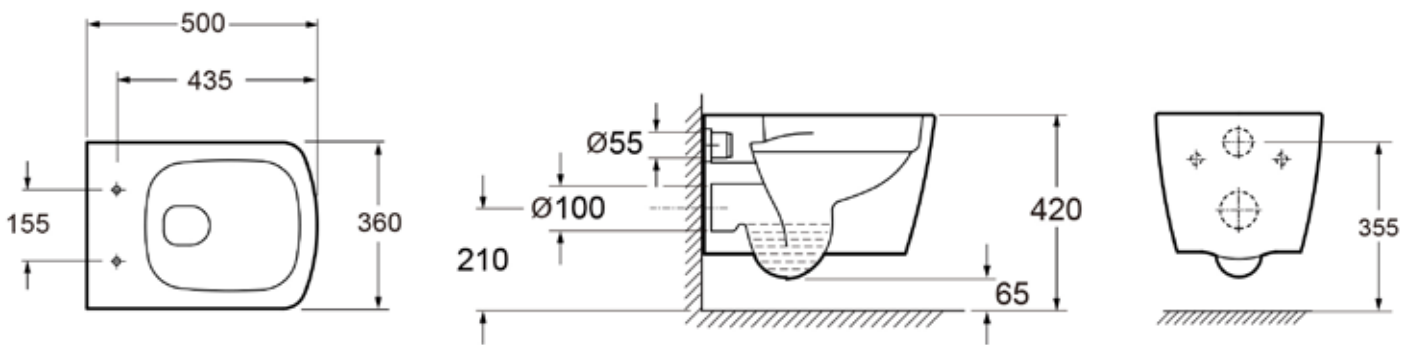
15 Millbrook Industrial Estate, Sybron Way, Crowborough TN6 3DU. Technical Support – Tel: 01530 835598 Email: sales@imexceramic.co.uk

All information on the data sheet is correct at the time of publication. All measurements are approximate and subject to standard tolerances.

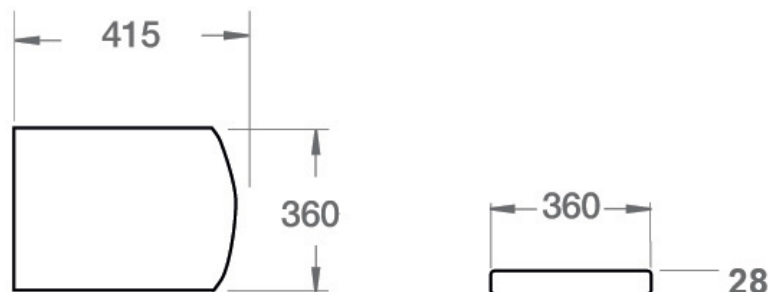
Certifications + Approvals

Dene Short Projection Rimless Wall Hung Pan INSDN001HRB, INSDN004B

Pan (INSDN001HRB)



Seat (INSDN004B)



Dene Short Projection Rimless Wall Hung Pan

INSDN001HRB, INSDN004B

FAQs

Q – What is the flush volume?

A – 6/4L. Eco flush 4/2.6L.

Q – Is this pan rimless or box rim?

A – Rimless.

Q – What finish is the ceramic glaze?

A – Black.

Q – What finish is the flush button supplied with the cistern?

A – Chrome.

Q – Can the flush button be upgraded to a different finish?

A – Yes using either INSFBBB (brushed brass) or INSFBBM (matt black).

Q – Does it have an airgap?

A – Yes.

Q – What's the maximum test load of the seat?

A – 1.50kg.