

Dene Standard Height Rimless Back To Wall Pan INSDN001BR, INSDN004



Seat Specification

Duraplast Soft Close, Quick Release, Seat + Cover (INSDN004)

Finish	White
Dimensions	28(h) x 360(w) x 415(d) mm
Weight	3.11kg
Seat Hinge Material	Metal / Plastic
Antibacterial Protection	Yes
Seat Type	Standard
UV Protection	Yes
Max Load Test	150kg
Seat Material	Duraplast

Pan Specification

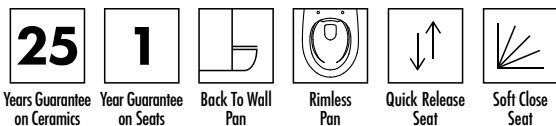
Standard Height Rimless Back To Wall Pan (INSDN001BR)

Finish	White
Dimensions	430(h) x 360(w) x 520(d) mm
Weight	28.5kg
Fixing Supplied	Yes
Fixing Exposed or Concealed	Concealed

FAQs

Please see next page

Key Features + Benefits



Imex Ceramics

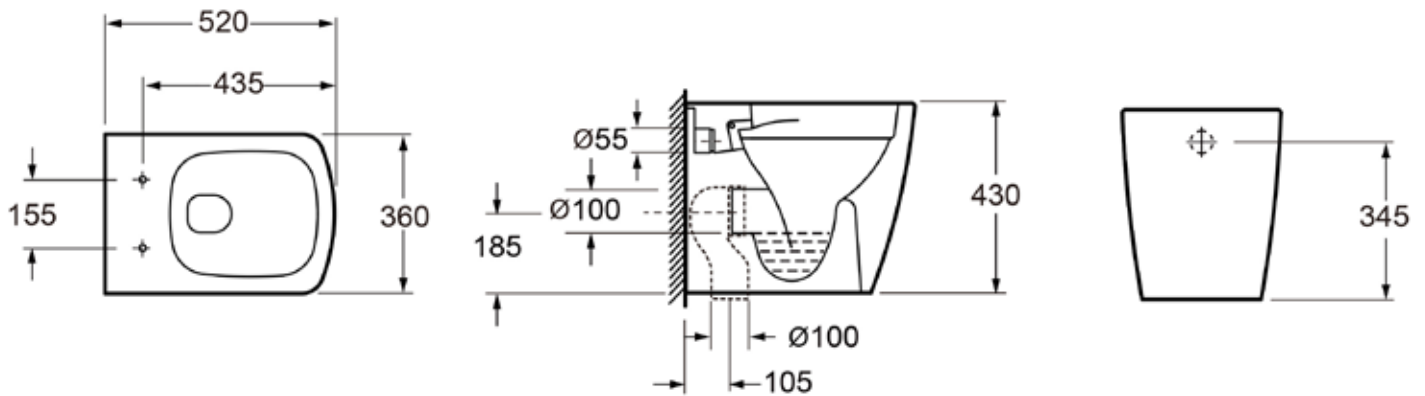
15 Millbrook Industrial Estate, Sybron Way, Crowborough TN6 3DU. Technical Support – Tel: 01530 835598 Email: sales@imexceramic.co.uk

All information on the data sheet is correct at the time of publication. All measurements are approximate and subject to standard tolerances.

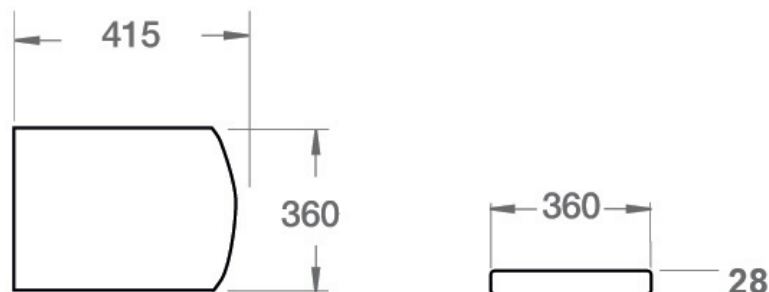
Certifications + Approvals

Dene Standard Height Rimless Back To Wall Pan INSDN001BR, INSDN004

Pan (INSDN001BR)



Seat (INSDN004)



Dene Standard Height Rimless Back To Wall Pan INSDN001BR, INSDN004

FAQs

Q – What is the flush volume?

A – 6/4L. Eco flush 4/2.6L.

Q – Is this pan rimless or box rim?

A – Rimless.

Q – What finish is the ceramic glaze?

A – White.

Q – What finish is the flush button supplied with the cistern?

A – Chrome.

Q – Can the flush button be upgraded to a different finish?

A – Yes using either INSFBBB (brushed brass) or INSFBBM (matt black).

Q – Does it have an airgap?

A – Yes.

Q – What's the maximum test load of the seat?

A – 1.50kg.