

Della Standard Height Short Projection Back To Wall Pan INSDE012, INSDE003



Seat Specification

Standard, Soft Close, Seat + Cover
(INSDE003)

Finish	White
Dimensions	65(h) x 343(w) x 450(d) mm
Weight	1.4kg
Seat Hinge Material	Plastic
Antibacterial Protection	Yes
Seat Type	Standard
UV Protection	Yes
Max Load Test	150kg
Seat Material	PP

Pan Specification

Standard Height Short Projection Back To Wall Pan
(INSDE012)

Finish	White
Dimensions	390(h) x 345(w) x 500(d) mm
Weight	21.5kg
Fixing Supplied	Yes
Fixing Exposed or Concealed	Exposed

FAQs

Please see next page

Key Features + Benefits

25 Years Guarantee on Ceramics	1 Years Guarantee on Seats	 Back To Wall Pan	 Short Projection Pan	 Soft Close Seat	 Quick Release Seat
---	---	-------------------------	-----------------------------	------------------------	---------------------------

Certifications + Approvals

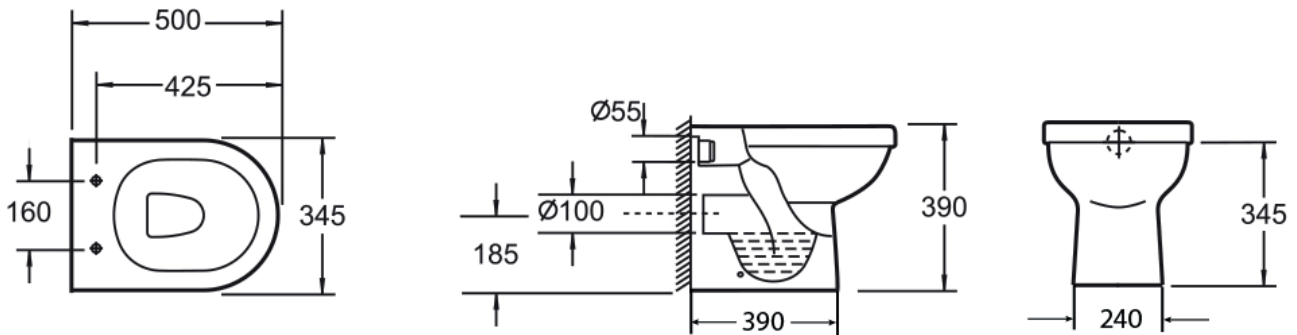
Imex Ceramics

15 Millbrook Industrial Estate, Sybron Way, Crowborough TN6 3DU. Technical Support – Tel: 01530 835598 Email: sales@imexceramic.co.uk

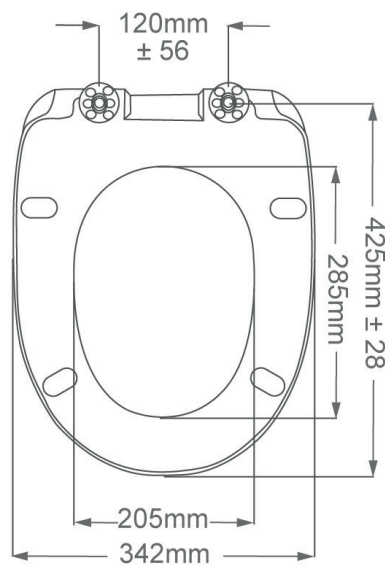
All information on the data sheet is correct at the time of publication. All measurements are approximate and subject to standard tolerances.

Della Standard Height Short Projection Back To Wall Pan INSDE012, INSDE003

Pan (INSDE012)



Seat (INSDE003)



Della Standard Height Short Projection Back To Wall Pan INSDE012, INSDE003

FAQs

Q – Is this pan rimless or box rim?

A – Box rim.

Q – What finish is the ceramic glaze?

A – White.

Q – Can the flush button be upgraded to a different finish?

A – Yes using INSFMBB (matt black).

Q – What's the maximum test load of the seat?

A – 150kg.