

Della 560mm Basin (Semi Pedestal)

INSDE005, INSDE010



Basin Specification

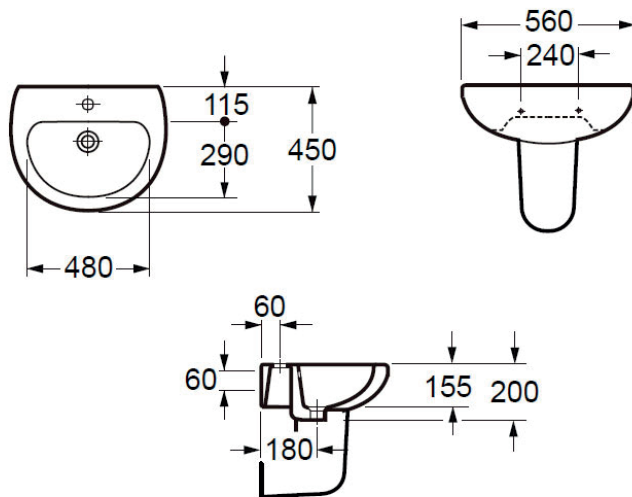
560mm One Taphole Basin
(INSDE005)

Finish	White
Dimensions	200(h) x 560(w) x 460(d) mm
Weight	14.5kg
Basin Material	Ceramic
Overflow	Yes
Chainstay Hole	No
Taphole Positioning	Centre
Tap	Not Included

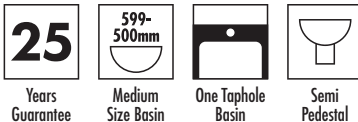
Pedestal Specification

Semi Pedestal
(INSDE010)

Finish	White
Dimensions	310(h) x 230(w) x 285(d) mm
Weight	7kg
Pedestal Material	Ceramic



Key Features + Benefits



Certifications + Approvals

Imex Ceramics

15 Millbrook Industrial Estate, Sybron Way, Crowborough TN6 3DU. Technical Support – Tel: 01530 835598 Email: sales@imexceramic.co.uk

All information on the data sheet is correct at the time of publication. All measurements are approximate and subject to standard tolerances.