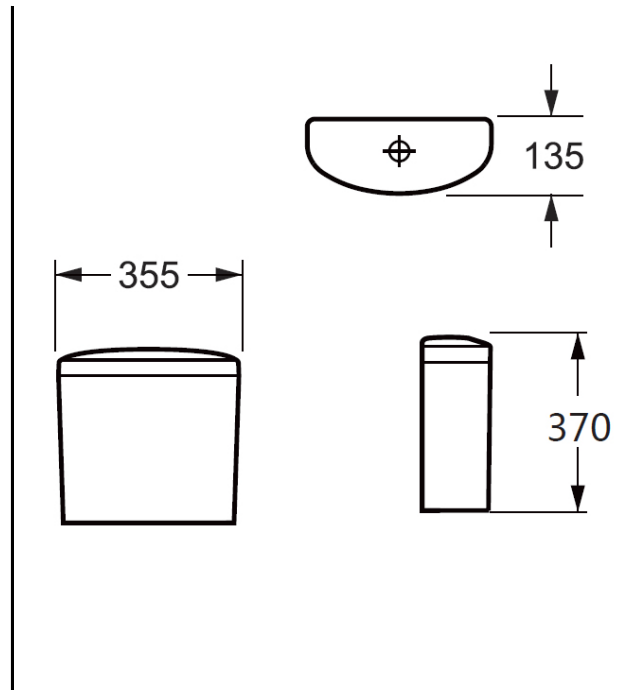


Product Code

INSDE002

Instinct INSDE002 Della Close Coupled WC Cistern 355x135x370mm

| | | | | | |
|------------|------------------|--------|----------|---------------|---------------|
| Category: | Toilets | Weight | 11.6 KG | Range | Della |
| Guarantee: | Sanitaryware | | 25 years | Instinct Code | INSDE002 |
| | Cistern Fittings | | 3 years | Colour: | White |
| | Seats | | 1 year | EAN CODE | 5060516861279 |



Dimensions are in Millimetres except thread sizes which are BSP imperial

Features:

Dual 6 and 3 litre flush fittings supplied as standard
 Water saving 4 and 2½ litre economy flush capability
 Includes WRAS approved fittings

Approvals:

| | |
|--------------------------|-----|
| CE Approved | YES |
| Made to British Standard | YES |
| WRAS Approved | YES |

Notes

Our guarantee is subject to the product having been installed, used and maintained in accordance with our instructions. All working parts (such as hinges, ceramic disks, cartridges, seals and cistern fittings), are covered for 36 months from proof of purchase date. This excludes seats, which are subject to normal wear and tear, which are covered for 12 months. Our guarantee applies to the original purchaser and is non-transferable. Our guarantee is only applicable in the UK and ROI. This does not affect your statutory rights.

We recommend that a pressure reducing valve is fitted in installations where the water supply pressure exceeds 3 bar. Pressure in excess of 3 bar could reduce the working life of this product and invalidate the guarantee.

Information is provided for guidance only and is non-binding. All measurements are approximate and subject to standard tolerances. We reserve the right to change product specifications without prior notification.

This data sheet was published on 20th May 2017.