

### Darton 748 x 498mm Towel Rail (Heating Only) DA750MB



#### Specification

Finish	Matt Black
Dimensions	748(h) x 498(w) x 124(d) mm
Weight	7.06kg
BTU Output/Hr	635
Watts @ $\Delta$ T50°C	186
Bars	4
Pipe Centres	425
Electric Element Wattage	–
Face to Face Connections	–
Air Vent Position	–
Material	Mild Steel

All heat outputs are shown at 50°C  $\Delta$ t in compliance with BSEN442. Watts and Btu's apply to Heating and Dual Fuel only.

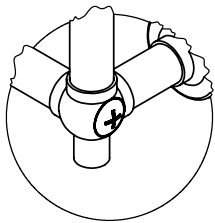
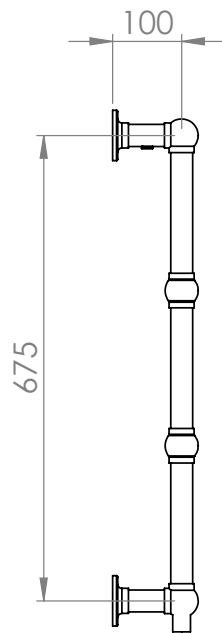
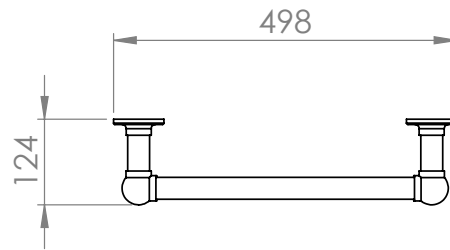
#### Key Features + Benefits

<b>15</b>	<b>MS</b>	<b>H</b>
Years Guarantee	Mild Steel	Heating Only

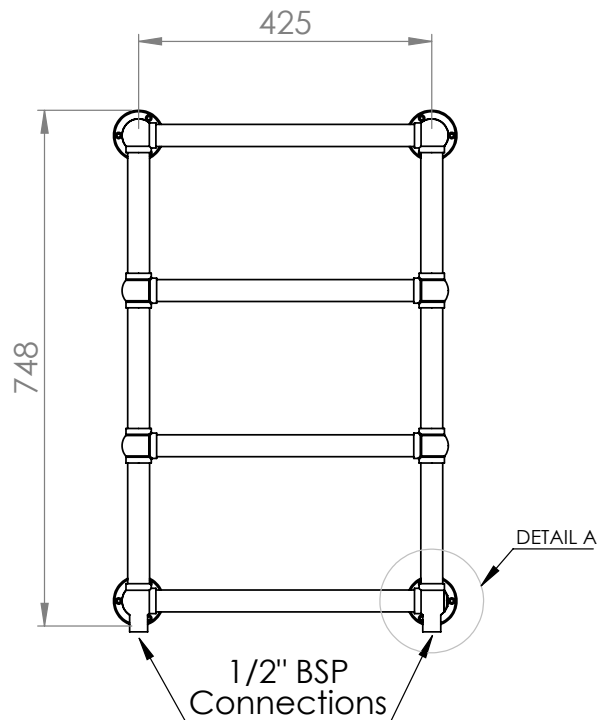
#### Certifications + Approvals

## Technical Data Sheet | Designer Towel Rails

### Darton 748 x 498mm Towel Rail (Heating Only) DA750MB



DETAIL A  
SCALE 1 : 5



\*Dual energy models require a conversion-tee, consult relevant drawing for details.