

### Darton 748 x 498mm Towel Rail (Dual Fuel) DA750BB-HE



#### Specification

Finish	Brushed Brass
Dimensions	748(h) x 498(w) x 130(d) mm
Weight	8.06kg
BTU Output/Hr	584
Watts @ $\Delta$ T50°C	171
Bars	4
Pipe Centres	–
Electric Element Wattage	100
Face to Face Connections	–
Air Vent Position	–
Material	Mild Steel

All heat outputs are shown at 50°C  $\Delta$ t in compliance with BSEN442. Watts and Btu's apply to Heating and Dual Fuel only.

#### Key Features + Benefits

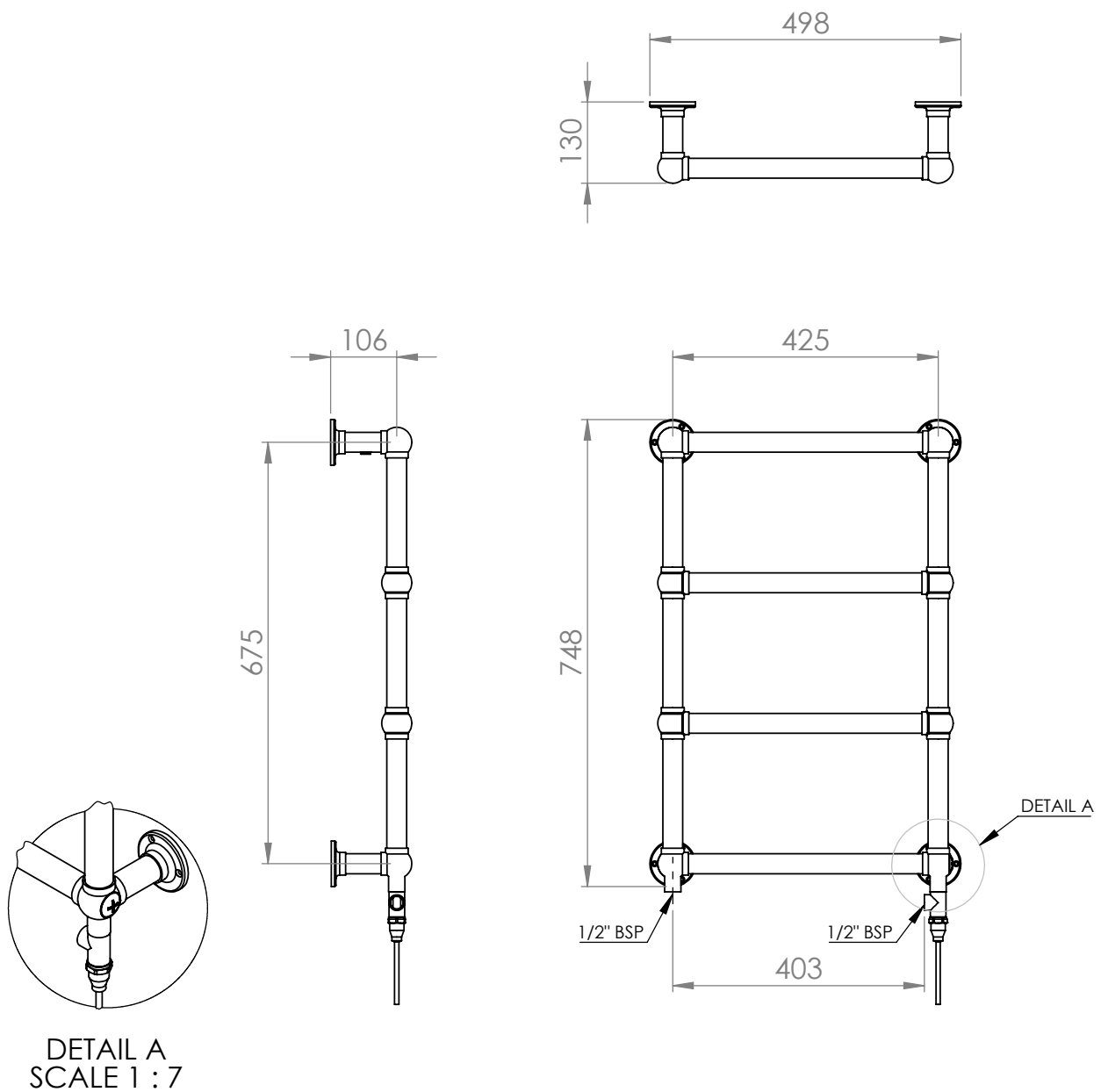
<b>15</b>	<b>MS</b>	<b>DF</b>
Years Guarantee	Mild Steel	Dual Fuel

#### Certifications + Approvals

## Technical Data Sheet | Designer Towel Rails

### Darton 748 x 498mm Towel Rail (Dual Fuel) DA750BB-HE

#### Vertical Connection

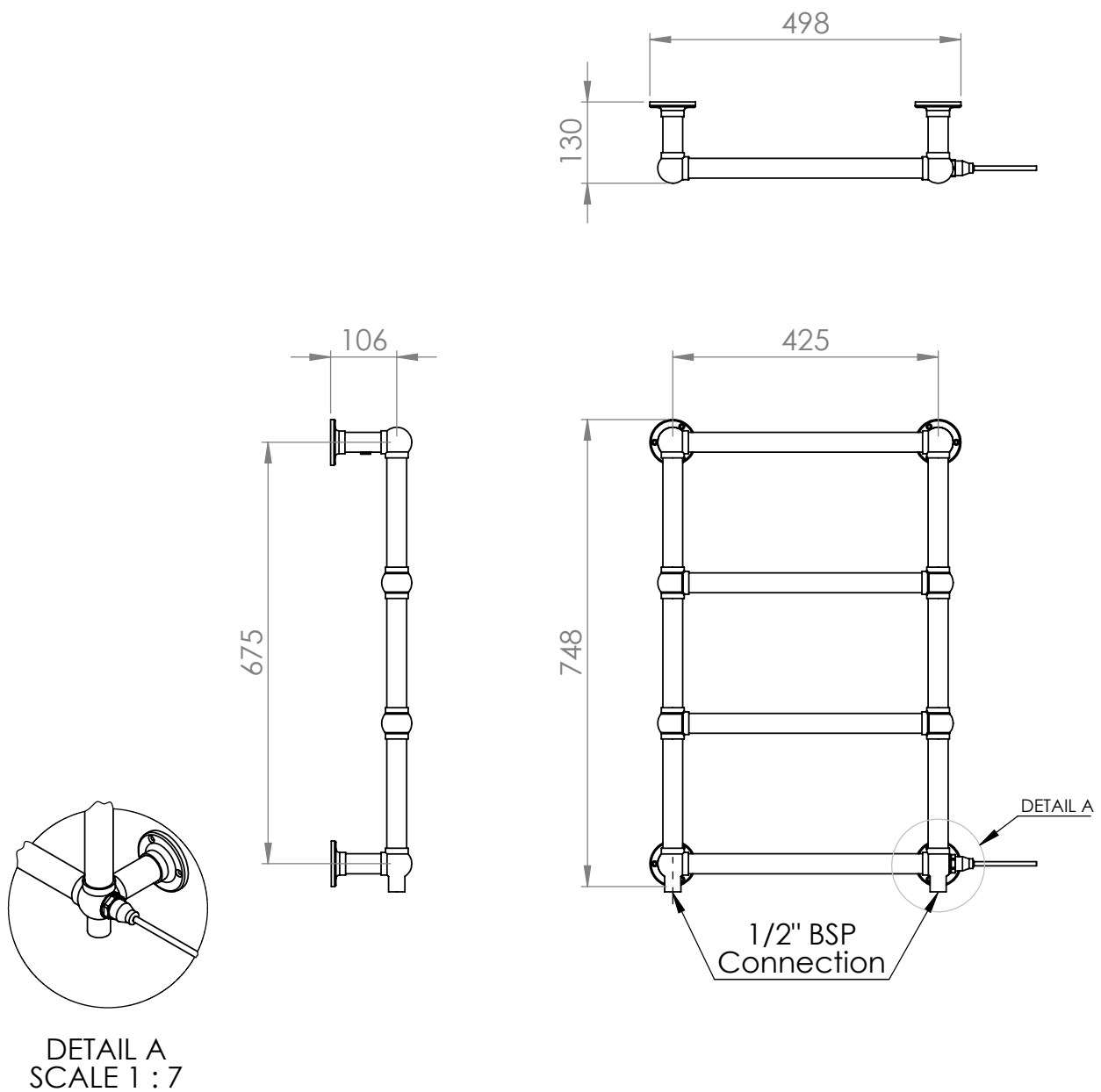


\*Dual energy models require a conversion-tee, consult relevant drawing for details.

## Technical Data Sheet | Designer Towel Rails

### Darton 748 x 498mm Towel Rail (Dual Fuel) DA750BB-HE

#### Horizontal Connection



\*Dual energy models require a conversion-tee, consult relevant drawing for details.