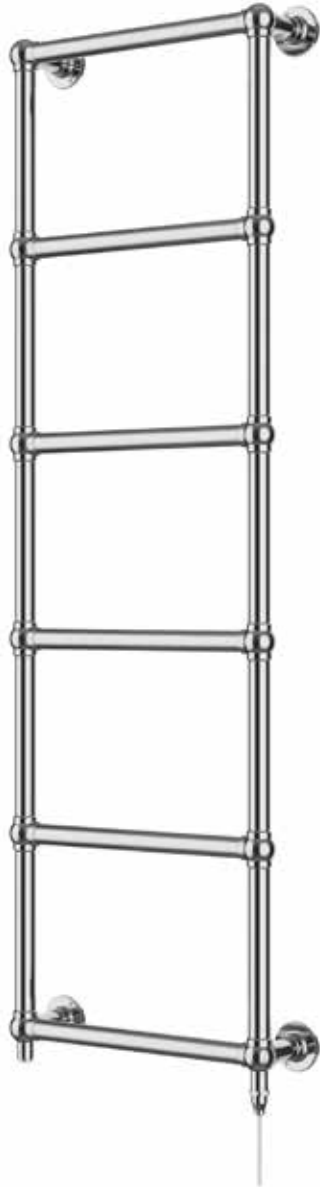


Darton 1548 x 498mm Towel Rail (Electric Only) DA1550C-E



Specification

Finish	Chrome
Dimensions	1548(h) x 498(w) x 125(d) mm
Weight	16.386kg
BTU Output/Hr	-
Watts @ Δ T50°C	-
Bars	6
Pipe Centres	-
Electric Element Wattage	200
Face to Face Connections	-
Air Vent Position	-
Material	Mild Steel

All heat outputs are shown at 50°C Δ t in compliance with BSEN442. Watts and Btu's apply to Heating and Dual Fuel only.

Key Features + Benefits

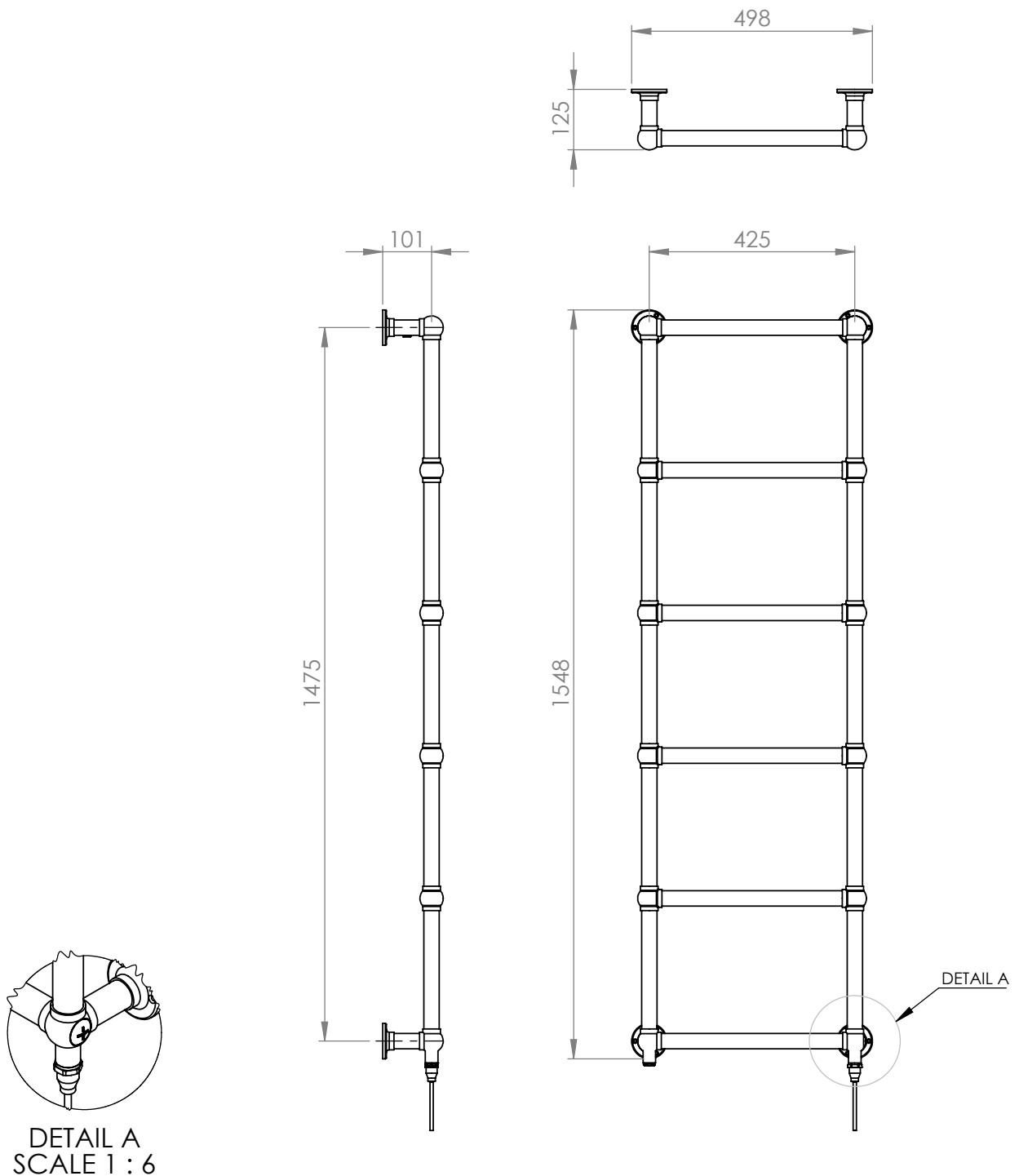
15	MS	E
Years Guarantee	Mild Steel	Electric Only

Certifications + Approvals

Technical Data Sheet | Designer Towel Rails

Darton 1548 x 498mm Towel Rail (Electric Only) DA1550C-E

Vertical Connection

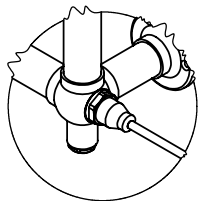
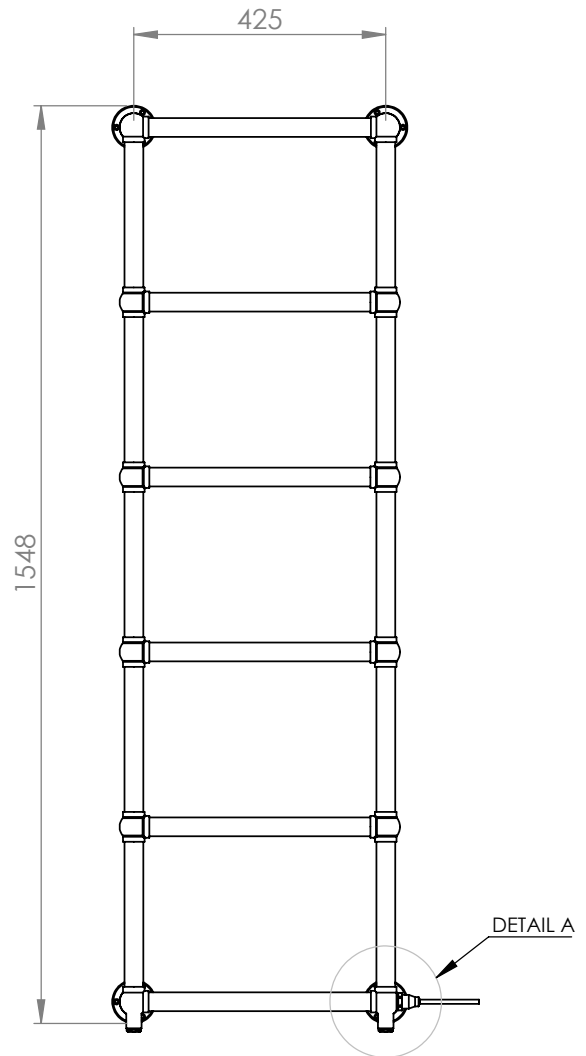
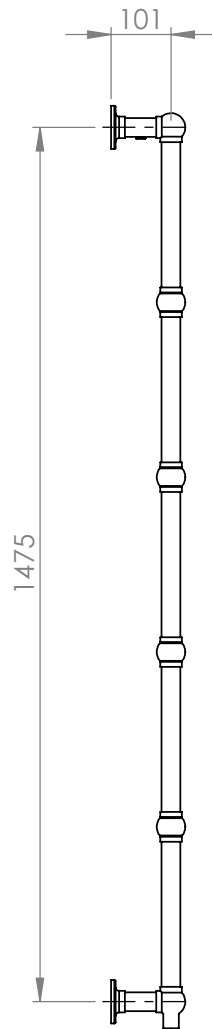
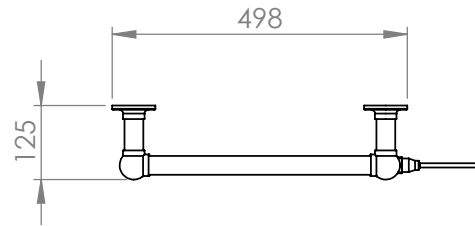


*Dual energy models require a conversion-tee, consult relevant drawing for details.

Technical Data Sheet | Designer Towel Rails

Darton 1548 x 498mm Towel Rail (Electric Only) DA1550C-E

Horizontal Connection



DETAIL A
SCALE 1 : 6

*Dual energy models require a conversion-tee, consult relevant drawing for details.