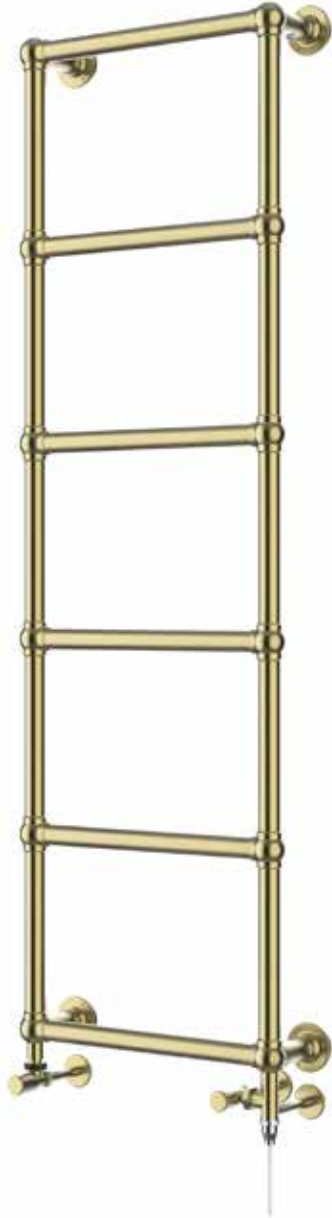


### Darton 1548 x 498mm Towel Rail (Dual Fuel) DA1550BB-HE



#### Specification

Finish	Brushed Brass
Dimensions	1548(h) x 498(w) x 130(d) mm
Weight	11.786kg
BTU Output/Hr	1399
Watts @ $\Delta$ T50°C	410
Bars	6
Pipe Centres	-
Electric Element Wattage	200
Face to Face Connections	-
Air Vent Position	-
Material	Mild Steel

All heat outputs are shown at 50°C  $\Delta$ t in compliance with BSEN442. Watts and Btu's apply to Heating and Dual Fuel only.

#### Key Features + Benefits

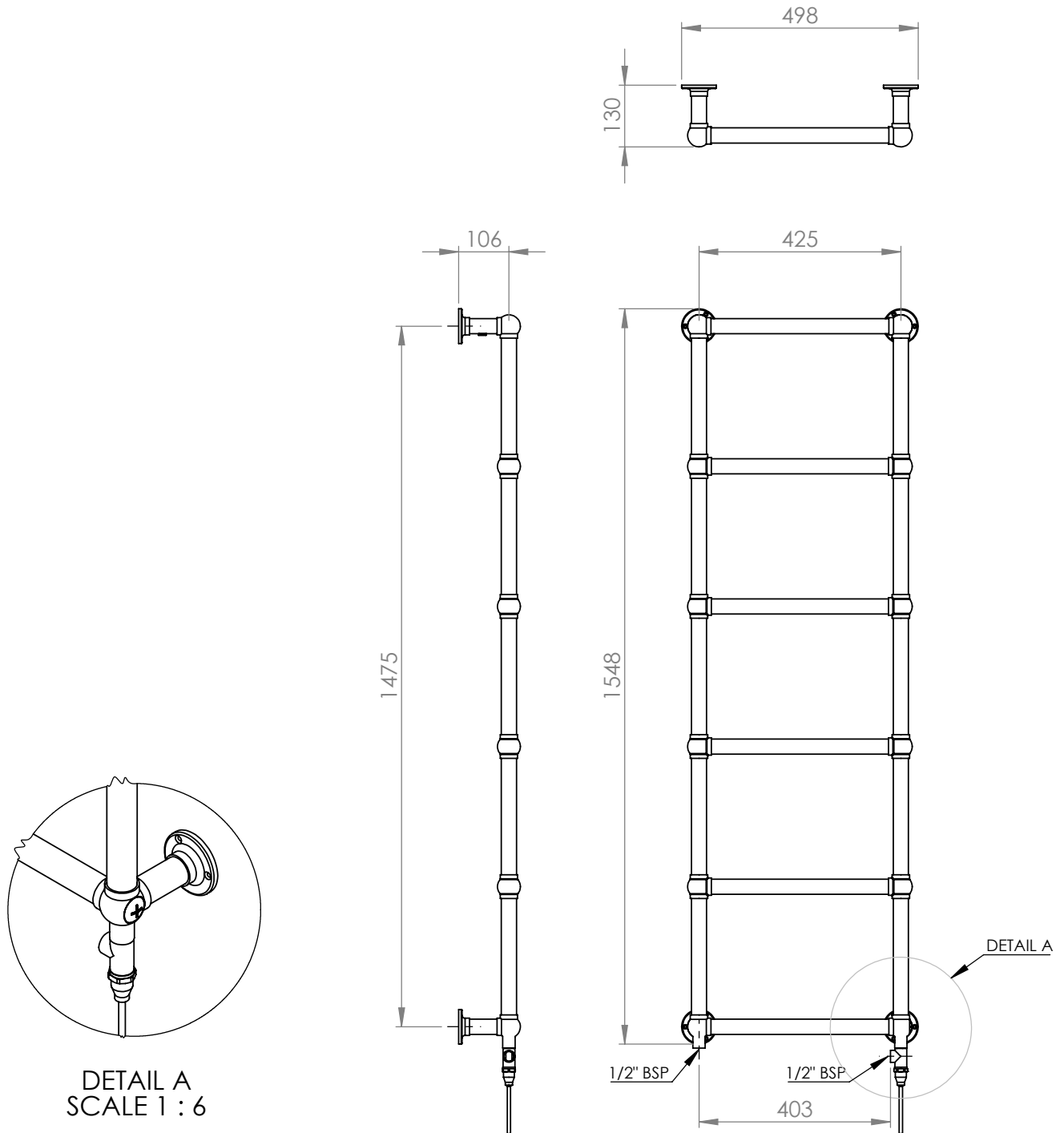
<b>15</b>	<b>MS</b>	<b>DF</b>
Years Guarantee	Mild Steel	Dual Fuel

#### Certifications + Approvals

## Technical Data Sheet | Designer Towel Rails

### Darton 1548 x 498mm Towel Rail (Dual Fuel) DA1550BB-HE

#### Vertical Connection

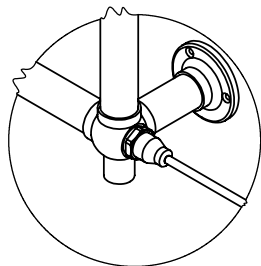
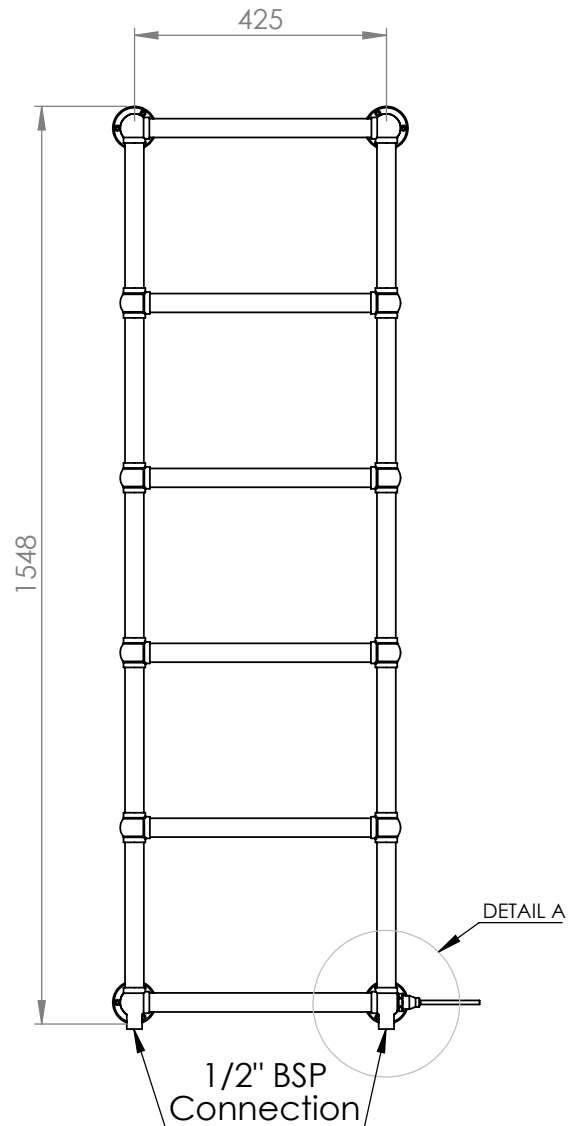
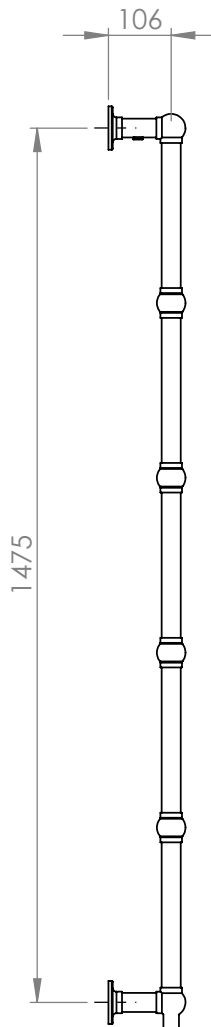
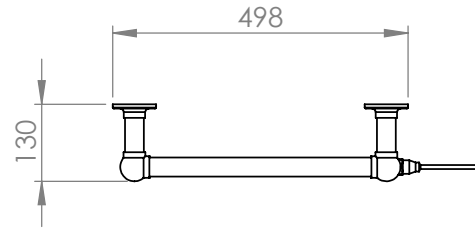


\*Dual energy models require a conversion-tee, consult relevant drawing for details.

## Technical Data Sheet | Designer Towel Rails

### Darton 1548 x 498mm Towel Rail (Dual Fuel) DA1550BB-HE

#### Horizontal Connection



DETAIL A  
SCALE 1 : 6

\*Dual energy models require a conversion-tee, consult relevant drawing for details.