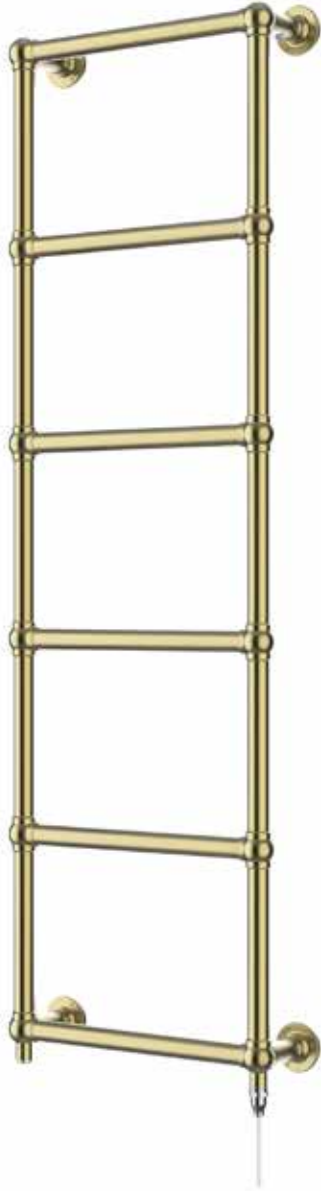


Darton 1548 x 498mm Towel Rail (Electric Only) DA1550BB-E



Specification

Finish	Brushed Brass
Dimensions	1548(h) x 498(w) x 130(d) mm
Weight	16.386kg
BTU Output/Hr	-
Watts @ Δ T50°C	-
Bars	6
Pipe Centres	-
Electric Element Wattage	200
Face to Face Connections	-
Air Vent Position	-
Material	Mild Steel

All heat outputs are shown at 50°C Δt in compliance with BSEN442. Watts and Btu's apply to Heating and Dual Fuel only.

Key Features + Benefits

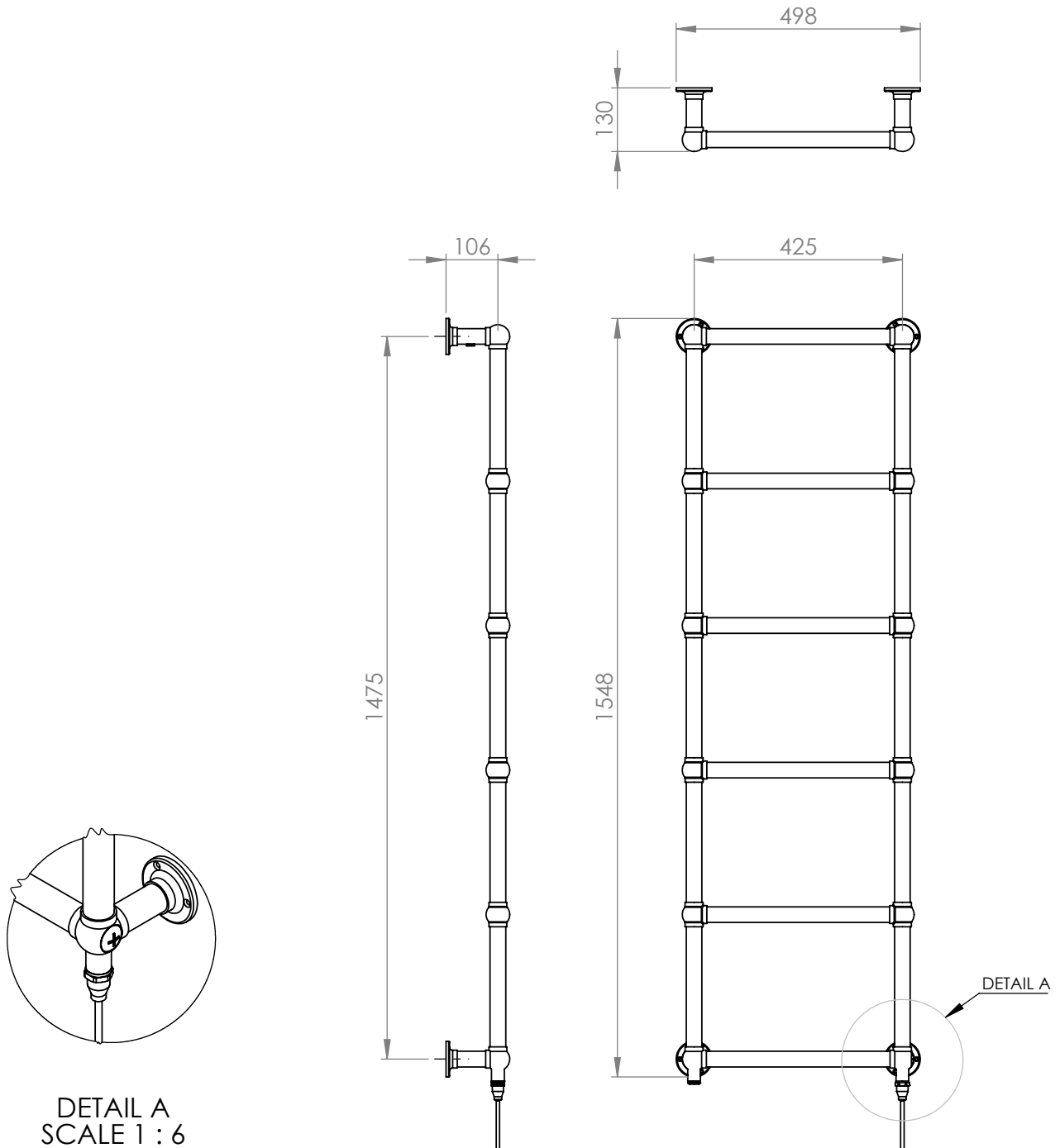
15 Years Guarantee	MS Mild Steel	E Electric Only
---------------------------------	----------------------------	------------------------------

Certifications + Approvals

Technical Data Sheet | Designer Towel Rails

Darton 1548 x 498mm Towel Rail (Electric Only) DA1550BB-E

Vertical Connection

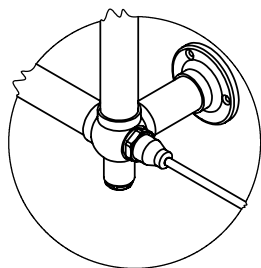
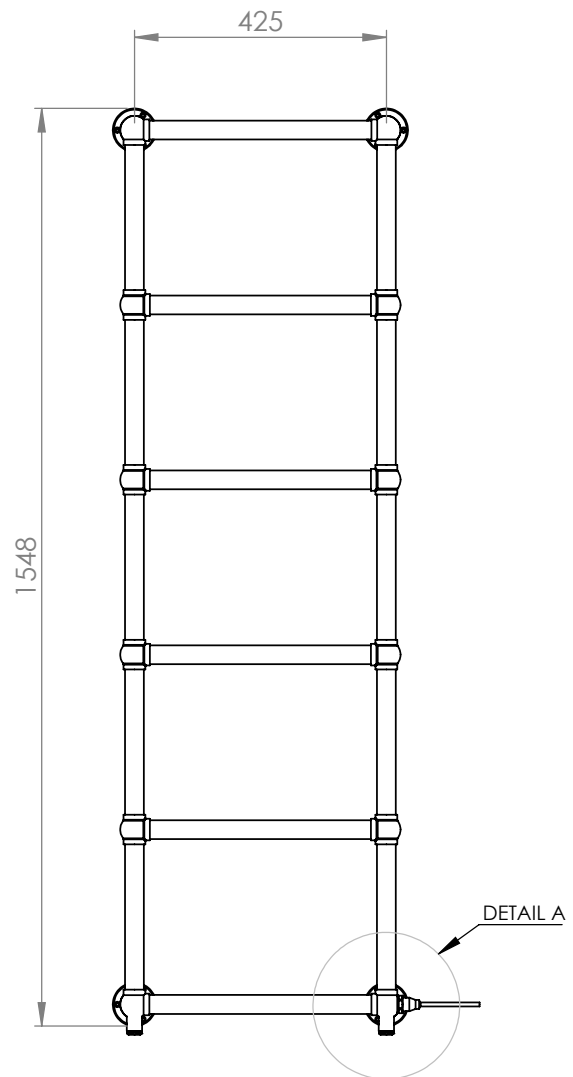
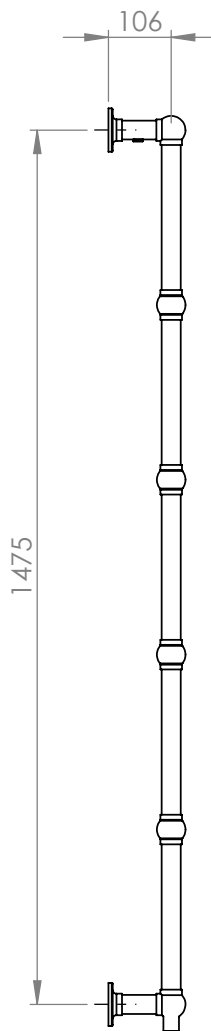
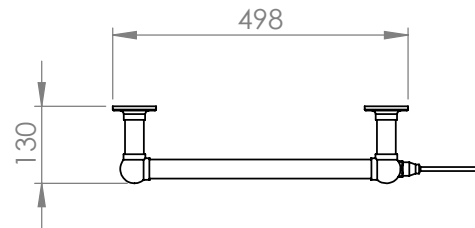


*Dual energy models require a conversion-tee, consult relevant drawing for details.

Technical Data Sheet | Designer Towel Rails

Darton 1548 x 498mm Towel Rail (Electric Only) DA1550BB-E

Horizontal Connection



DETAIL A
SCALE 1 : 6

*Dual energy models require a conversion-tee, consult relevant drawing for details.