

Darton 1193 x 498mm Towel Rail (Heating Only) DA1195C



Specification

| | |
|--------------------------|------------------------------|
| Finish | Chrome |
| Dimensions | 1193(h) x 498(w) x 125(d) mm |
| Weight | 10.26kg |
| BTU Output/Hr | 686 |
| Watts @ Δ T50°C | 201 |
| Bars | 5 |
| Pipe Centres | 425 |
| Electric Element Wattage | - |
| Face to Face Connections | - |
| Air Vent Position | - |
| Material | Mild Steel |

All heat outputs are shown at 50°C Δ t in compliance with BSEN442. Watts and Btu's apply to Heating and Dual Fuel only.

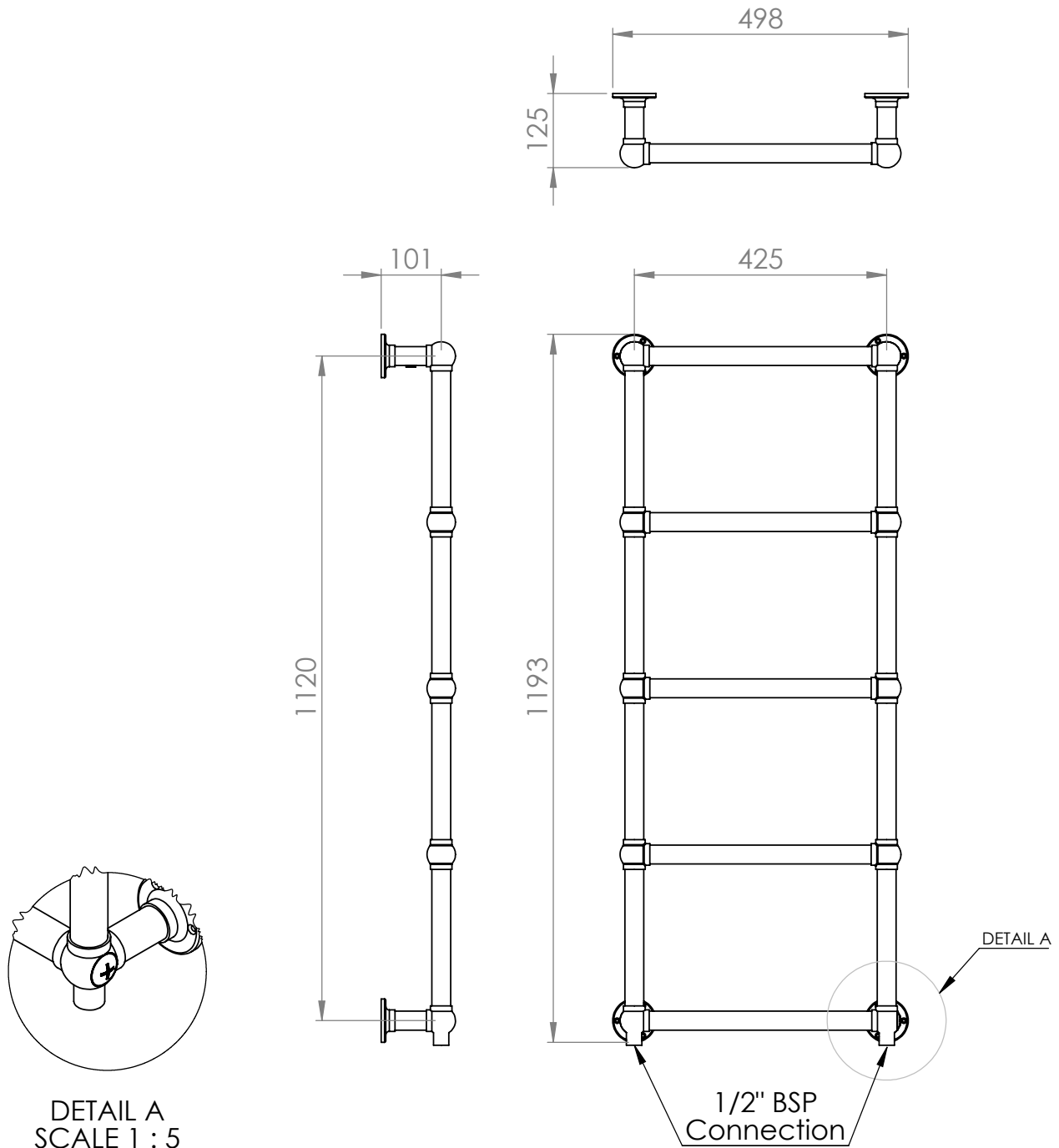
Key Features + Benefits

| | | |
|-----------------|------------|--------------|
| 15 | MS | H |
| Years Guarantee | Mild Steel | Heating Only |

Certifications + Approvals

Technical Data Sheet | Designer Towel Rails

Darton 1193 x 498mm Towel Rail (Heating Only) DA1195C



*Dual energy models require a conversion-tee, consult relevant drawing for details.