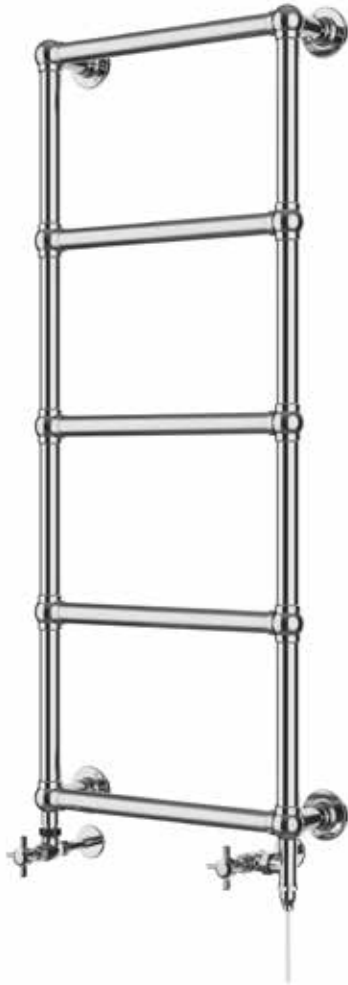


### Darton 1193 x 498mm Towel Rail (Dual Fuel) DA1195C-HE



#### Specification

Finish	Chrome
Dimensions	1193(h) x 498(w) x 125(d) mm
Weight	11.26kg
BTU Output/Hr	686
Watts @ $\Delta T50^{\circ}\text{C}$	201
Bars	5
Pipe Centres	-
Electric Element Wattage	150
Face to Face Connections	-
Air Vent Position	-
Material	Mild Steel

All heat outputs are shown at  $50^{\circ}\text{C } \Delta t$  in compliance with BSEN442. Watts and Btu's apply to Heating and Dual Fuel only.

#### Key Features + Benefits

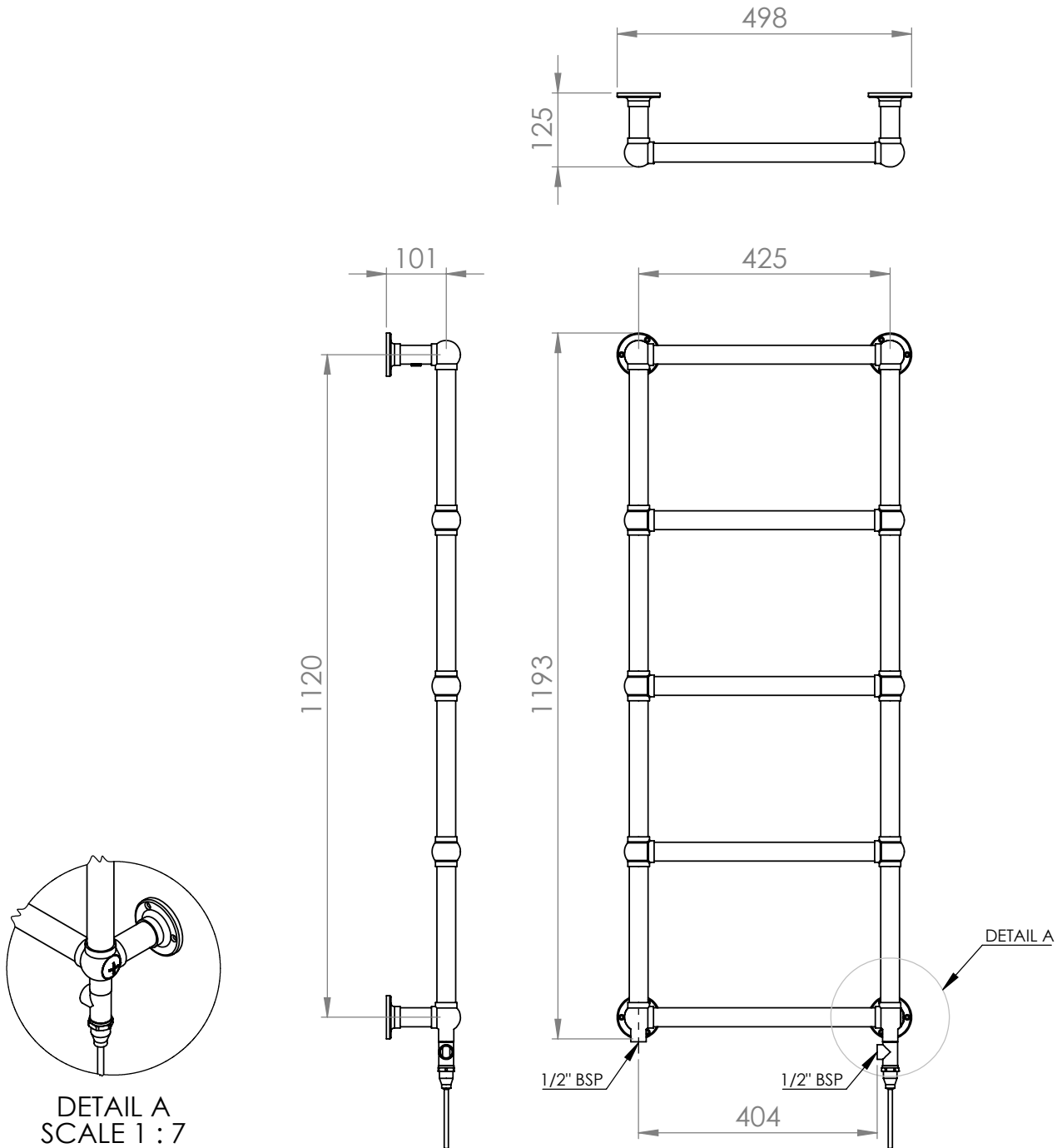
<b>15</b>	<b>MS</b>	<b>DF</b>
Years Guarantee	Mild Steel	Dual Fuel

#### Certifications + Approvals

## Technical Data Sheet | Designer Towel Rails

### Darton 1193 x 498mm Towel Rail (Dual Fuel) DA1195C-HE

#### Vertical Connection

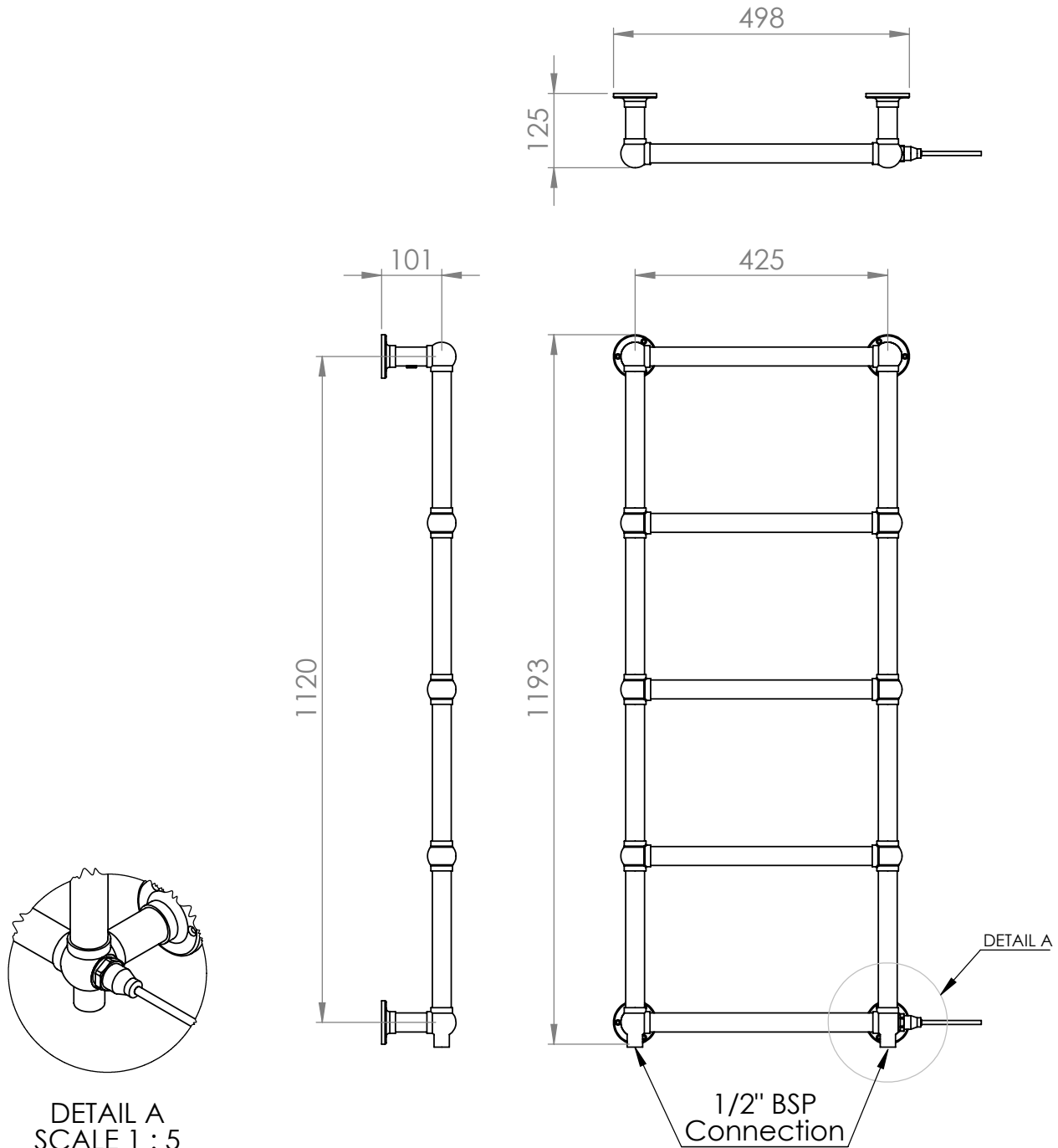


\*Dual energy models require a conversion-tee, consult relevant drawing for details.

## Technical Data Sheet | Designer Towel Rails

### Darton 1193 x 498mm Towel Rail (Dual Fuel) DA1195C-HE

#### Horizontal Connection



\*Dual energy models require a conversion-tee, consult relevant drawing for details.