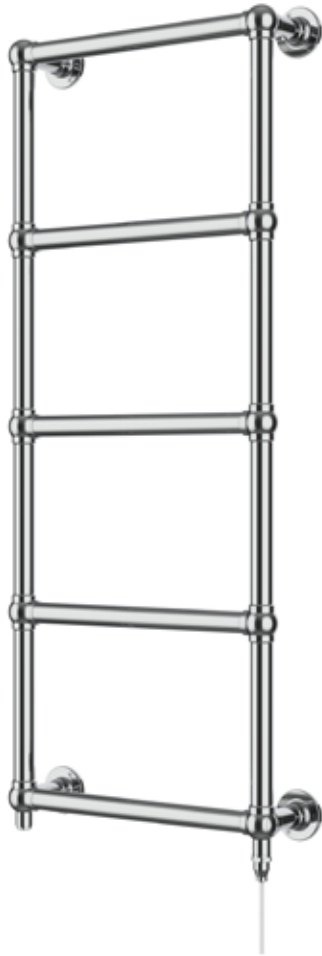


Darton 1193 x 498mm Towel Rail (Electric Only) DA1195C-E



Specification

Finish	Chrome
Dimensions	1193(h) x 498(w) x 125(d) mm
Weight	14.06kg
BTU Output/Hr	-
Watts @ Δ T50°C	-
Bars	5
Pipe Centres	-
Electric Element Wattage	150
Face to Face Connections	-
Air Vent Position	-
Material	Mild Steel

All heat outputs are shown at 50°C Δt in compliance with BSEN442. Watts and Btu's apply to Heating and Dual Fuel only.

Key Features + Benefits

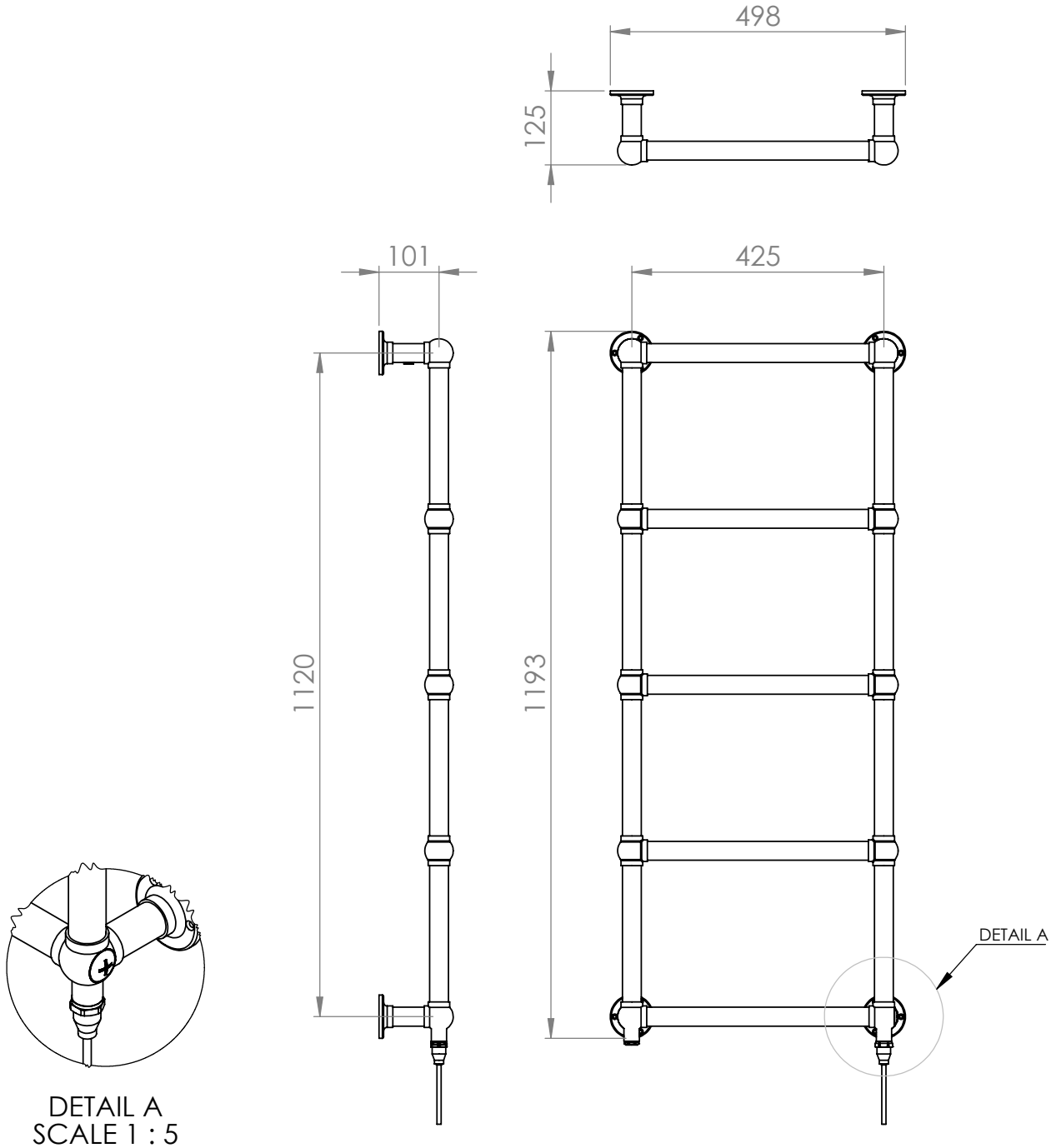
15 Years Guarantee	MS Mild Steel	E Electric Only
---------------------------------	----------------------------	------------------------------

Certifications + Approvals

Technical Data Sheet | Designer Towel Rails

Darton 1193 x 498mm Towel Rail (Electric Only) DA1195C-E

Vertical Connection

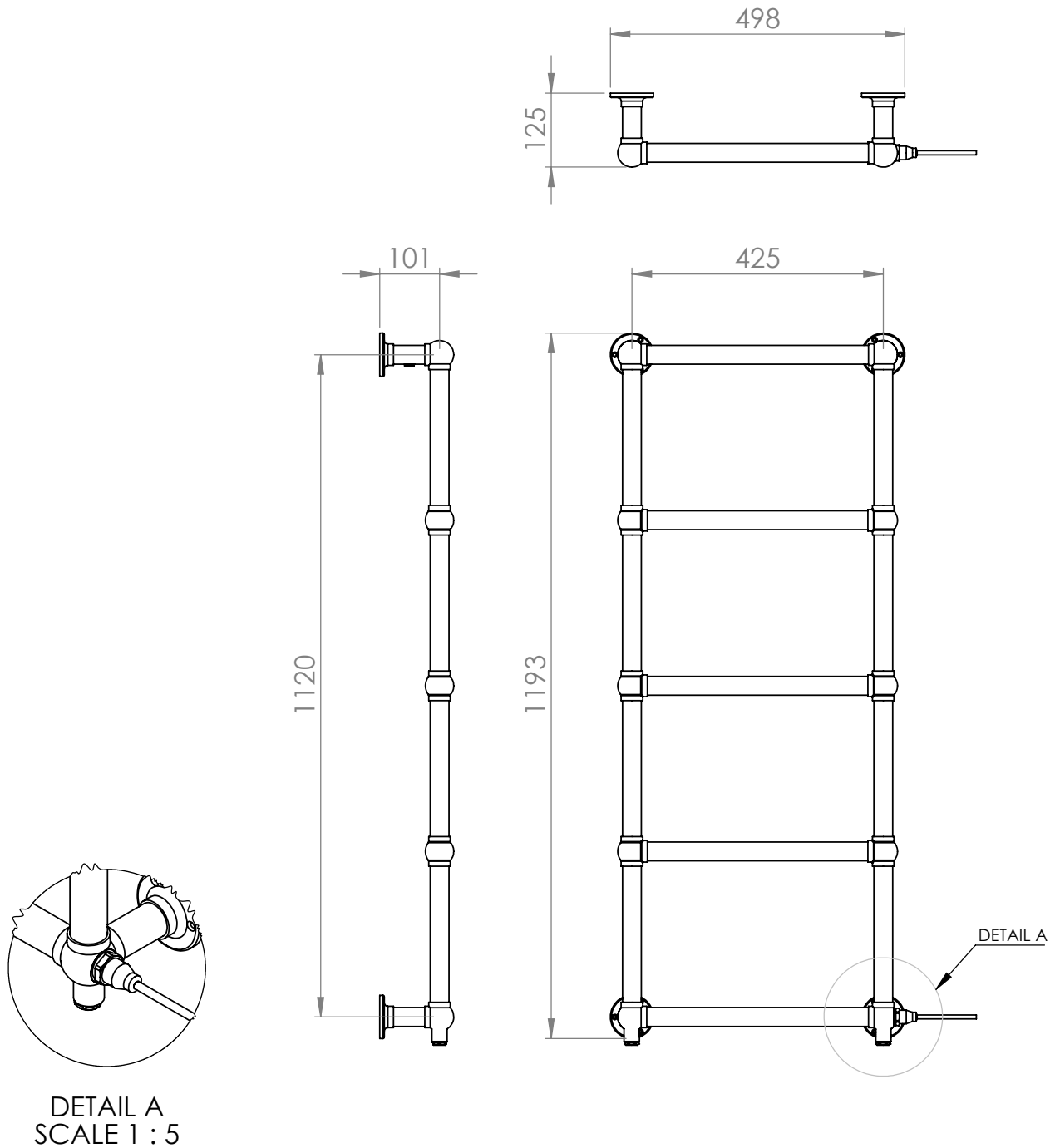


*Dual energy models require a conversion-tee, consult relevant drawing for details.

Technical Data Sheet | Designer Towel Rails

Darton 1193 x 498mm Towel Rail (Electric Only) DA1195C-E

Horizontal Connection



*Dual energy models require a conversion-tee, consult relevant drawing for details.