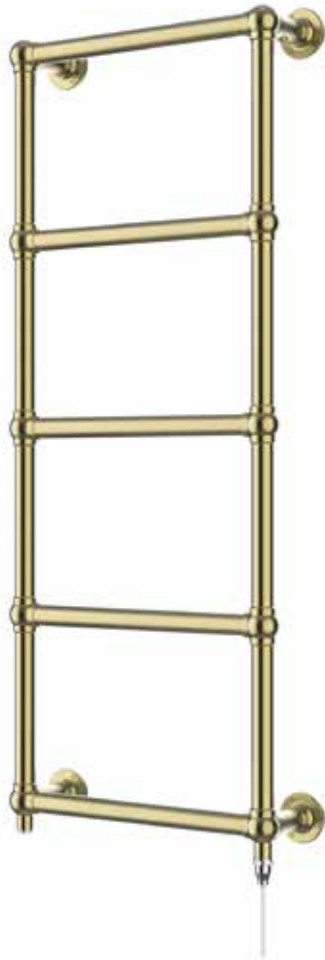


### Darton 1193 x 498mm Towel Rail (Electric Only) DA1195BB-E



#### Specification

Finish	Brushed Brass
Dimensions	1193(h) x 498(w) x 130(d) mm
Weight	14.06kg
BTU Output/Hr	-
Watts @ $\Delta$ T50°C	-
Bars	5
Pipe Centres	-
Electric Element Wattage	150
Face to Face Connections	-
Air Vent Position	-
Material	Mild Steel

All heat outputs are shown at 50°C  $\Delta$ t in compliance with BSEN442. Watts and Btu's apply to Heating and Dual Fuel only.

#### Key Features + Benefits

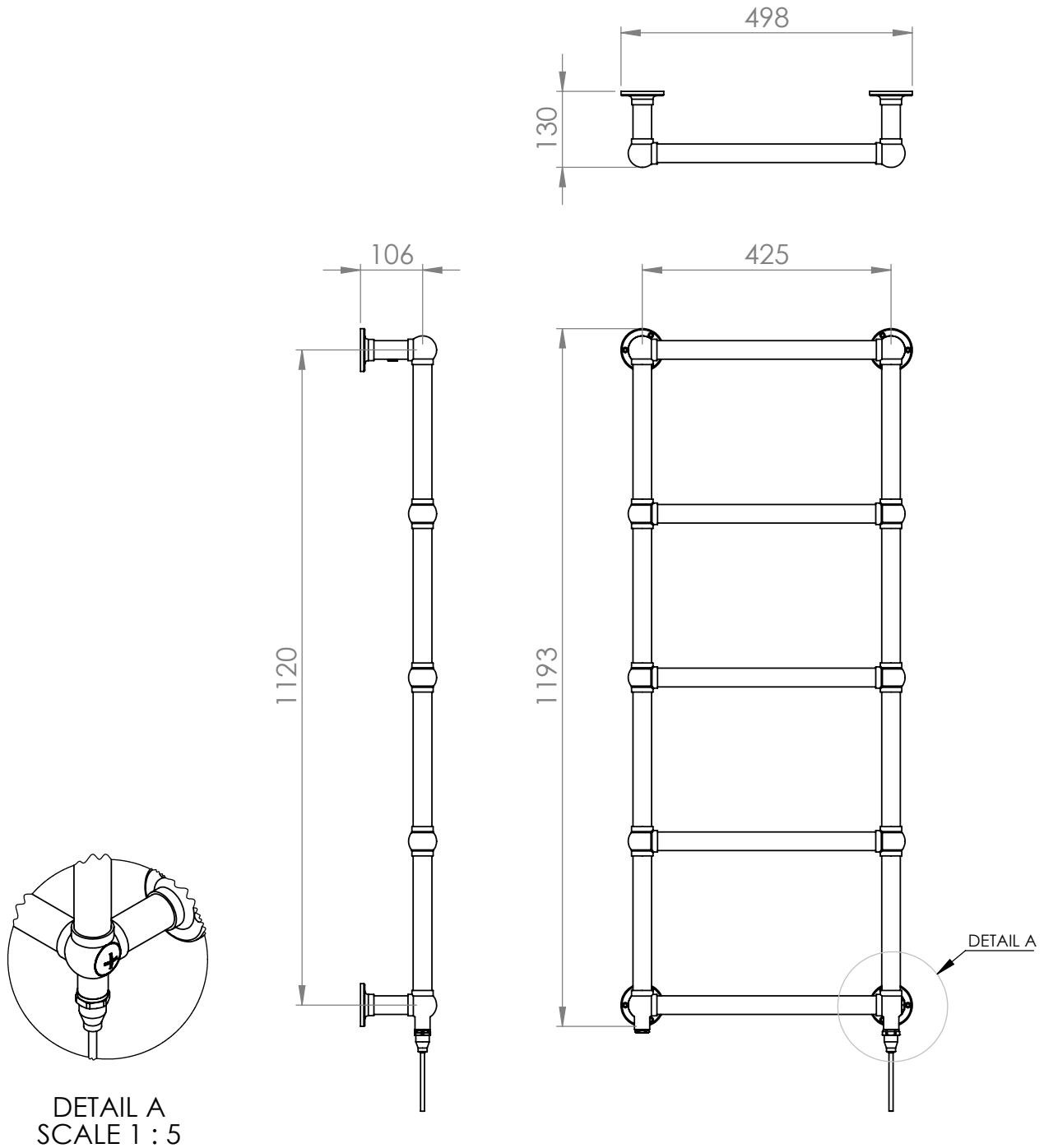
<b>15</b>	<b>MS</b>	<b>E</b>
Years Guarantee	Mild Steel	Electric Only

#### Certifications + Approvals

## Technical Data Sheet | Designer Towel Rails

### Darton 1193 x 498mm Towel Rail (Electric Only) DA1195BB-E

#### Vertical Connection

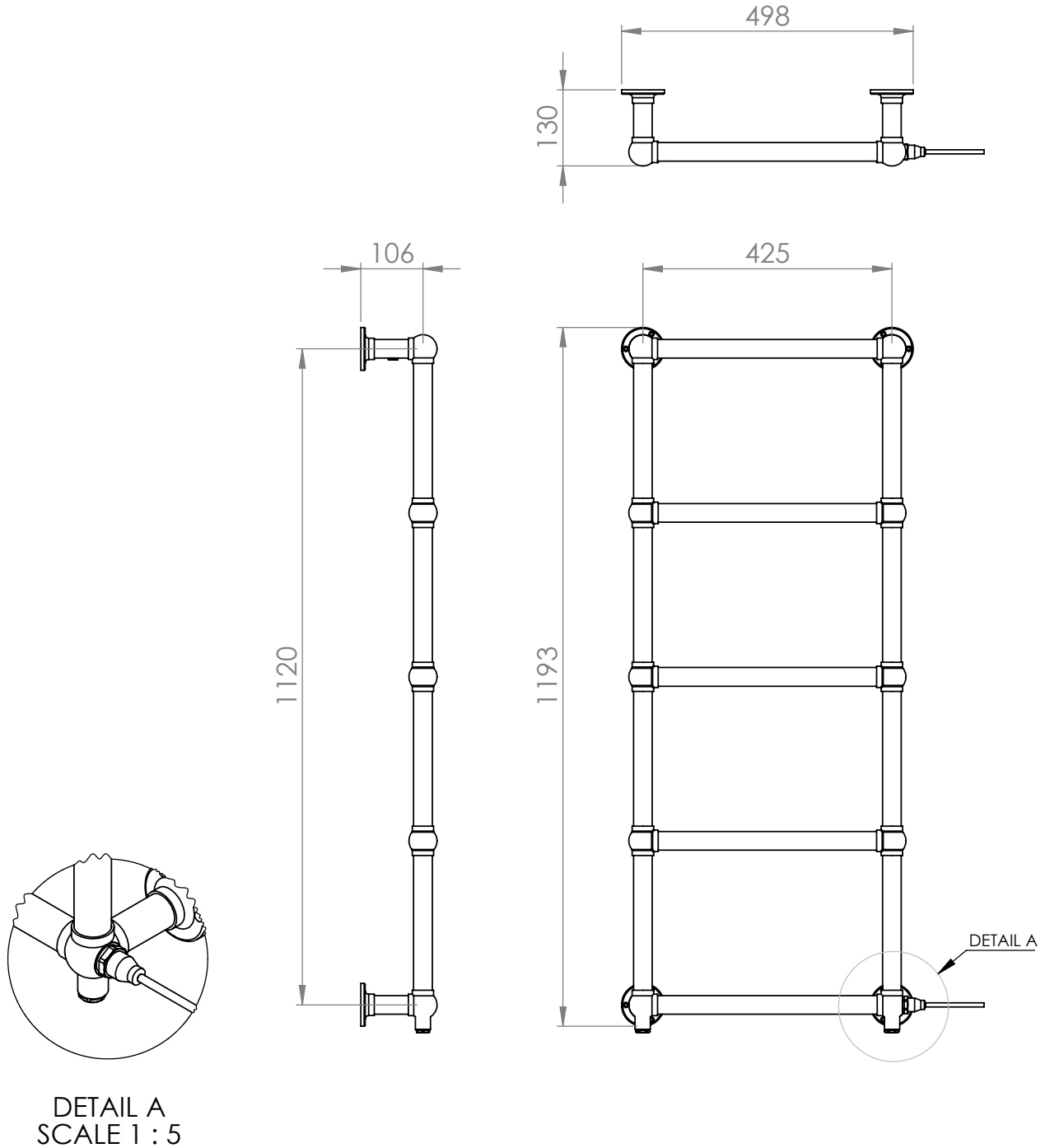


\*Dual energy models require a conversion-tee, consult relevant drawing for details.

## Technical Data Sheet | Designer Towel Rails

### Darton 1193 x 498mm Towel Rail (Electric Only) DA1195BB-E

#### Horizontal Connection



\*Dual energy models require a conversion-tee, consult relevant drawing for details.