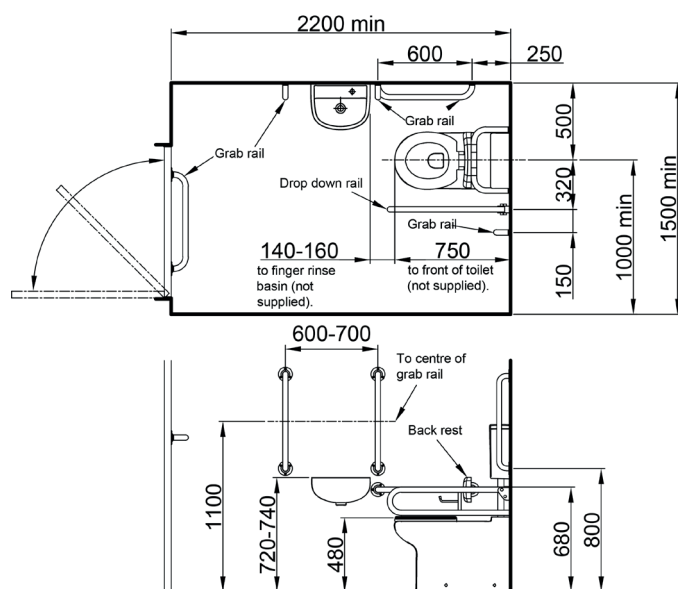


### DOC M Pack – Low Level, Basin (Two Taphole), Rails + Seat, Lever (Chrome) DM215K/DG

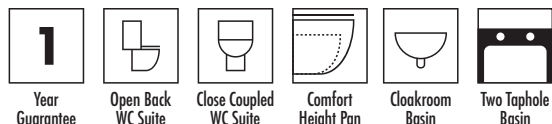


Dark Grey



Above is for guidance only, refer to relevant building regulations (Only Nymas components shown. See data sheet for pack components).

#### Key Features + Benefits



Year Guarantee    Open Back WC Suite    Close Coupled WC Suite    Comfort Height Pan    Cloakroom Basin    Two Taphole Basin

#### Cistern Specification

Finish	White
Dimensions	-
Weight	-
Cistern Fitting Manufacturer	Wirquin
Lever	Spatula Lever
Lever Position	Universal
Inlet Position (When looking at WC)	Universal

#### Seat Specification

Finish	Dark Grey
Dimensions	-
Weight	-
Seat Hinge Material	Stainless Steel
Antibacterial Protection	No
Seat Type	Ring
UV Protection	Yes
Max Load Test	150kg
Seat Material	Urea Thermoset Formaldehyde (UF)

#### Pan Specification

Finish	White
Dimensions	-
Weight	-
Fixing Supplied	No
Fixing	Exposed

#### Basin Specification

Finish	White
Dimensions	-
Weight	-
Overflow	No
Chainstay	No
Taphole Positioning	Equally Off Centre

#### FAQs

Please see next page

#### Certifications + Approvals

#### Nymas

Royce House, Royce Avenue, Billingham, TS23 4BX. Technical Support – Tel: 01642 710 719 Email: sales@nymas.co.uk

All information on the data sheet is correct at the time of publication. All measurements are approximate and subject to standard tolerances.

### DOC M Pack – Low Level, Basin (Two Taphole), Rails + Seat, Lever (Chrome) DM215K/DG

#### FAQs

**Q – What is included in the pack?**

A – 5 x 600mm grab rails.  
1 x 800mm lift + lock hinged rail.  
1 x back rest rail with PU pad.  
1 x low level WC pan + cistern.  
1 x ring only toilet seat with stainless steel hinge.  
1 x two taphole basin + fittings.  
1 x sequential basin mixer tap.  
1 x spatula cistern lever.  
1 x WRAS approved cistern fittings.  
1 x taphole cover.

**Q – Is the pack compliant with industry regulations?**

A – Yes, the pack is compliant with the Approved Document M of the Building Regulations 2000, is WRAS and LABC approved.

**Q – Is this cistern single or dual flush?**

A – Single.

**Q – Is this pan rimless or box rim?**

A – Box.

**Q – What's the maximum test load of the seat?**

A – 150kg.

**Q – Is the seat hinge standard or soft close?**

A – Standard.

**Q – Is the seat hinge fixing standard, quick release or top fix?**

A – Standard.