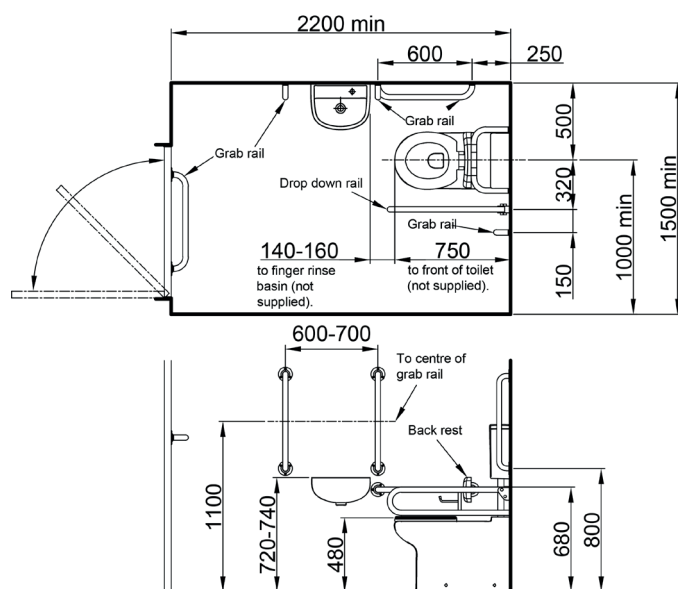


DOC M Pack – Low Level, Basin (One Taphole), Rails + Seat, Lever (Chrome) DM215K/1TH/DG

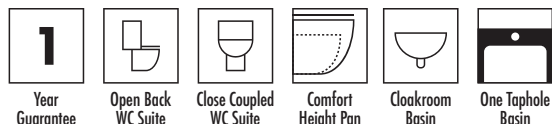


Dark Grey



Above is for guidance only, refer to relevant building regulations (Only Nymas components shown. See data sheet for pack components).

Key Features + Benefits



Year Guarantee Open Back WC Suite Close Coupled WC Suite Comfort Height Pan Cloakroom Basin One Taphole Basin

Cistern Specification

| | |
|-------------------------------------|---------------|
| Finish | White |
| Dimensions | - |
| Weight | - |
| Cistern Fitting Manufacturer | Wirquin |
| Lever | Spatula Lever |
| Lever Position | Universal |
| Inlet Position (When looking at WC) | Universal |

Seat Specification

| | |
|--------------------------|----------------------------------|
| Finish | Dark Grey |
| Dimensions | - |
| Weight | - |
| Seat Hinge Material | Stainless Steel |
| Antibacterial Protection | No |
| Seat Type | Ring |
| UV Protection | Yes |
| Max Load Test | 150kg |
| Seat Material | Urea Thermoset Formaldehyde (UF) |

Pan Specification

| | |
|-----------------|---------|
| Finish | White |
| Dimensions | - |
| Weight | - |
| Fixing Supplied | No |
| Fixing | Exposed |

Basin Specification

| | |
|---------------------|--------|
| Finish | White |
| Dimensions | - |
| Weight | - |
| Overflow | No |
| Chainstay | No |
| Taphole Positioning | Centre |

FAQs

Please see next page

Certifications + Approvals

Nymas

Royce House, Royce Avenue, Billingham, TS23 4BX. Technical Support – Tel: 01642 710 719 Email: sales@nymas.co.uk

All information on the data sheet is correct at the time of publication. All measurements are approximate and subject to standard tolerances.

DOC M Pack – Low Level, Basin (One Taphole), Rails + Seat, Lever (Chrome) DM215K/1TH/DG

FAQs

Q – What is included in the pack?

A – 5 x 600mm grab rails.
1 x 800mm lift + lock hinged rail.
1 x back rest rail with PU pad.
1 x low level WC pan + cistern.
1 x ring only toilet seat with stainless steel hinge.
1 x one taphole basin + fittings.
1 x sequential basin mixer tap.
1 x spatula cistern lever.
1 x WRAS approved cistern fittings.
1 x taphole cover.

Q – Is the pack compliant with industry regulations?

A – Yes, the pack is compliant with the Approved Document M of the Building Regulations 2000, is WRAS and LABC approved.

Q – Is this cistern single or dual flush?

A – Single.

Q – Is this pan rimless or box rim?

A – Box.

Q – What's the maximum test load of the seat?

A – 150kg.

Q – Is the seat hinge standard or soft close?

A – Standard.

Q – Is the seat hinge fixing standard, quick release or top fix?

A – Standard.